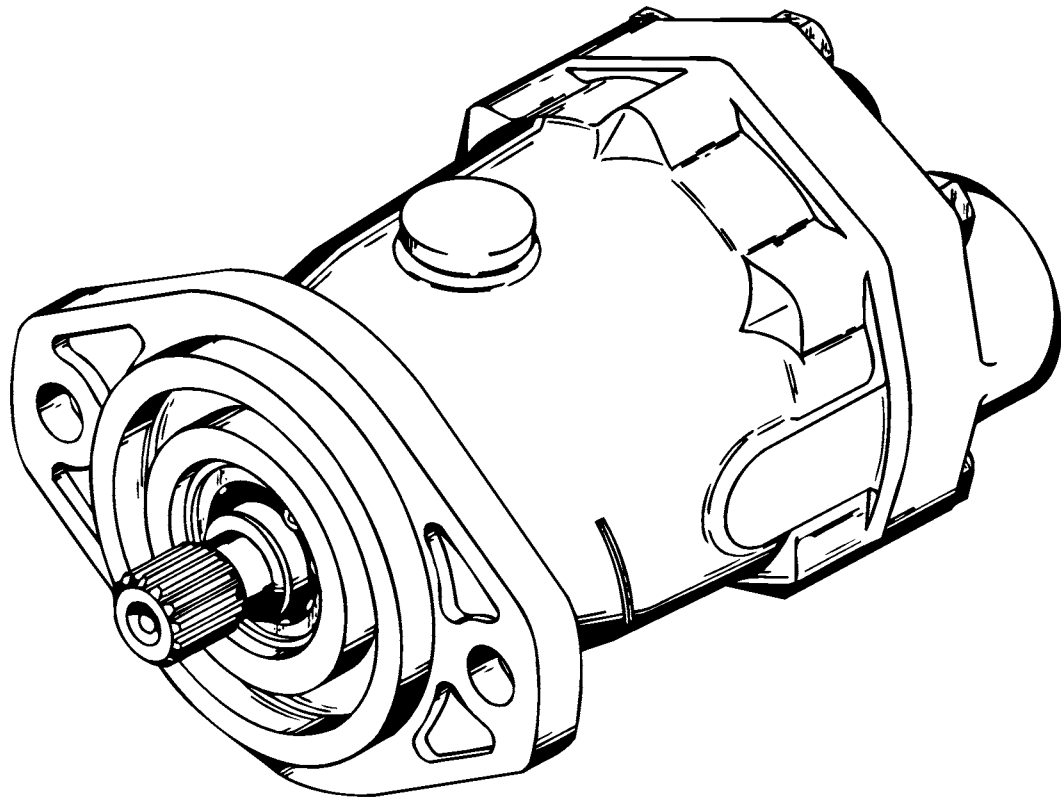


EAT•N

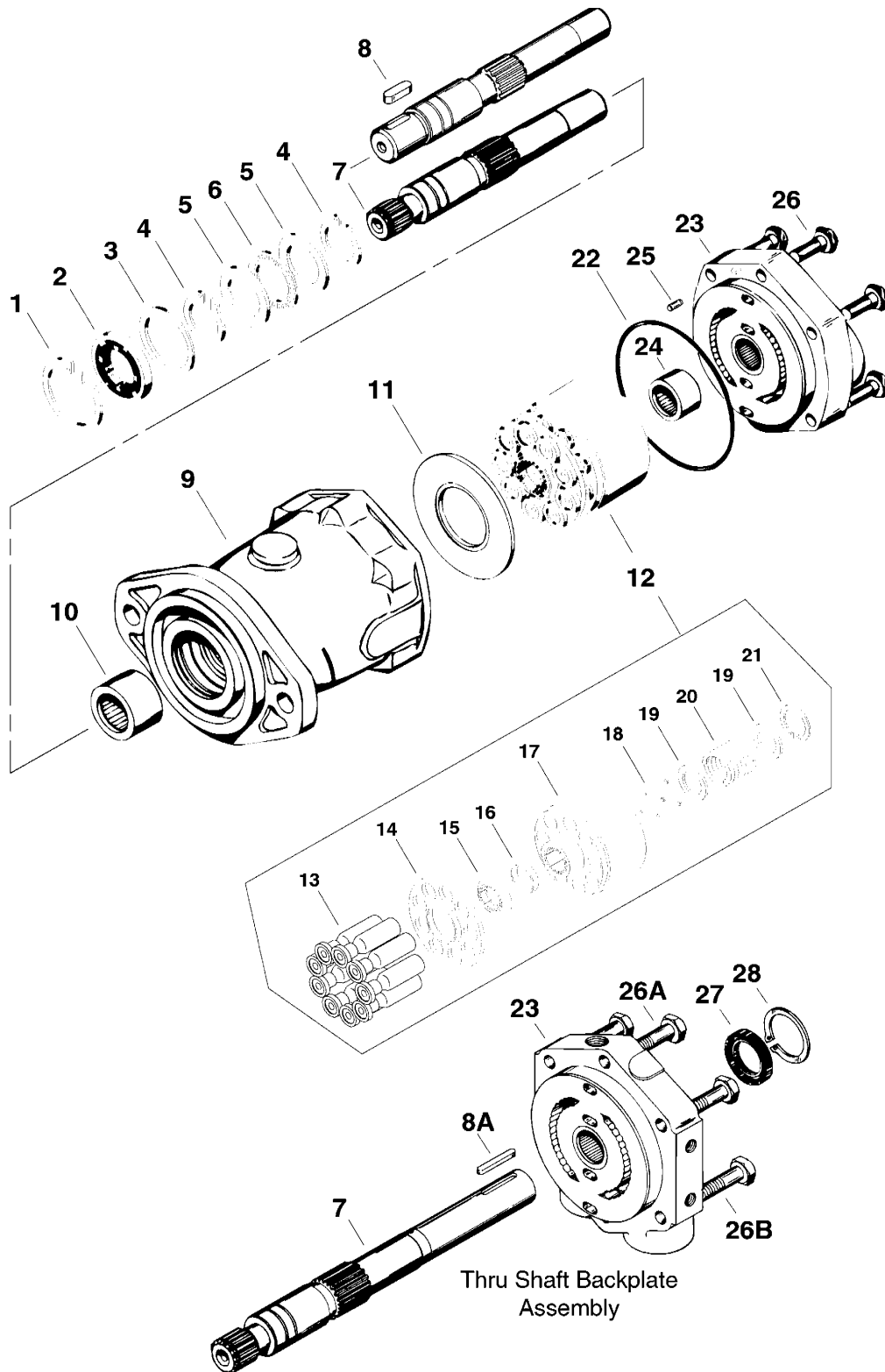
Hydraulics

Hydraulic Motor

Model 74418 and 74448
Fixed Displacement Piston Motors



Parts Drawing



The parts below are used in the 74418-DAV, -DBN, -DBP, -DBT and 74448-DAF. Other 74418 or 74448 assemblies may vary with special requirements.

Item No.	Description	Quantity	Part Numbers
+ 1	Retaining Ring	1	16077-32
+ 2	Shaft Seal	1	16253-18
3	Washer	1	16048-319
+ 4	Retaining Ring	2	16078-18
5	Thrust Race	2	74308-100
6	Thrust Bearing	1	74308-101
7	Drive Shaft	1	◆
8	Key	1	24500-619
8A	Key (Used on thru shaft only)	1	16246-427
9	Housing Assembly	1	◆
10	Needle Bearing	1	16238-11816
11	Camplate Insert	1	73400-605
12	Rotating Kit Assembly	1	70402-649
13	Piston Assembly	9	N/S
14	Spider	1	N/S
15	Spider Pivot	1	N/S
16	Pin Keeper	1	N/S
17	Piston Block	1	N/S
18	Pins	3	N/S
19	Washer	2	N/S
20	Spring	1	N/S
21	Retaining Ring	1	N/S
+ 22	O - ring	1	16015-55
23	Backplate Assembly	1	◆
24	Needle Bearing	1	70421-150
25	Roll Pin	1	16026-408
26	Cap Screws	6	16032-514
26A	Cap Screws(Used with thru shaft)	3	16032-514
26B	Cap Screws(Used with thru shaft)	3	16032-520
++ 27	Shaft Seal (In thru shaft backplate)	1	16253-14
++ 28	Retaining Ring (In thru shaft backplate)	1	16077-22
	• Seal Repair Kit	1	74418-904
	• Seal Repair Kit (Used w/ thru shaft backplate)	1	74448-900

- ◆ Refer to matrix charts per description
- + Parts included in both seal repair kit.
- ++ Parts included in thru shaft seal repair kit.

Drive Shaft Matrix - Item No. 7

Description	Part Numbers
7/8 in. Dia., 13 Tooth Spline	73410-201
7/8 in. Dia., Keyed	73410-211
7/8 in. Dia., 13 Tooth Spline (thru shaft) 7/8 in. Dia.Keyed	74440-202

Housing Matrix - Item No. 9

Description	Part Numbers
Not Bored with case drain port.	73418-303
Case drain port in boss of Housing.	73418-305

Backplate Matrix - Item No. 23

Description	Part Numbers
Rear Porting (1-1/16 -12) with case drain port (9/16 -18).	74400-329
Side Porting (1-1/16 -12) with case drain port (9/16 -18).	74400-316
Side Porting (1-1/16 -12) without case drain port.	74400-312
Same Side Porting (1-1/16 -12) and thru shaft with case drain port.	74448-304

Eaton
14615 Lone Oak Road
Eden Prairie, MN 55344
USA
Tel: 952 937-9800
Fax: 952 974-7722
www.hydraulics.eaton.com

Eaton
20 Rosamond Road
Footscray
Victoria 3011
Australia
Tel: (61) 3 9319 8222
Fax: (61) 3 9318 5714

Eaton
46 New Lane, Havant
Hampshire PO9 2NB
England
Tel: (44) 23 92 486 451
Fax: (44) 23 92 487 110