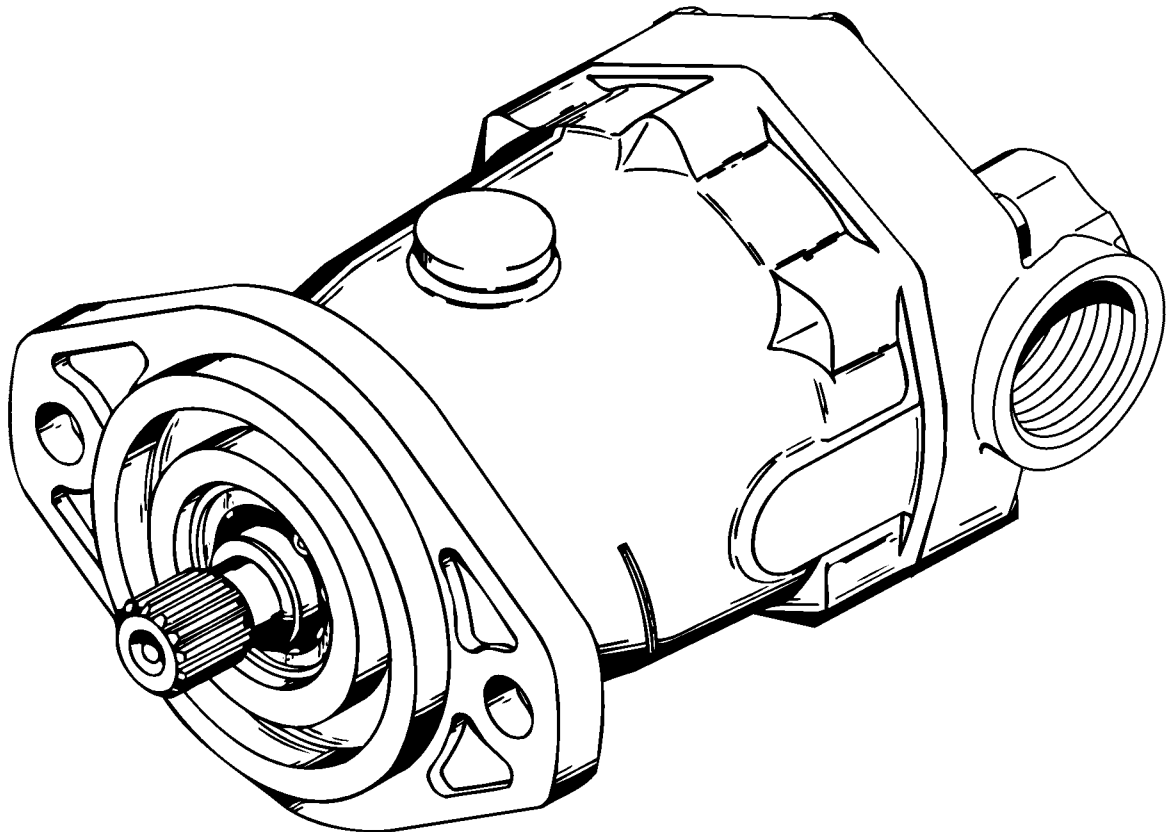


EAT•N

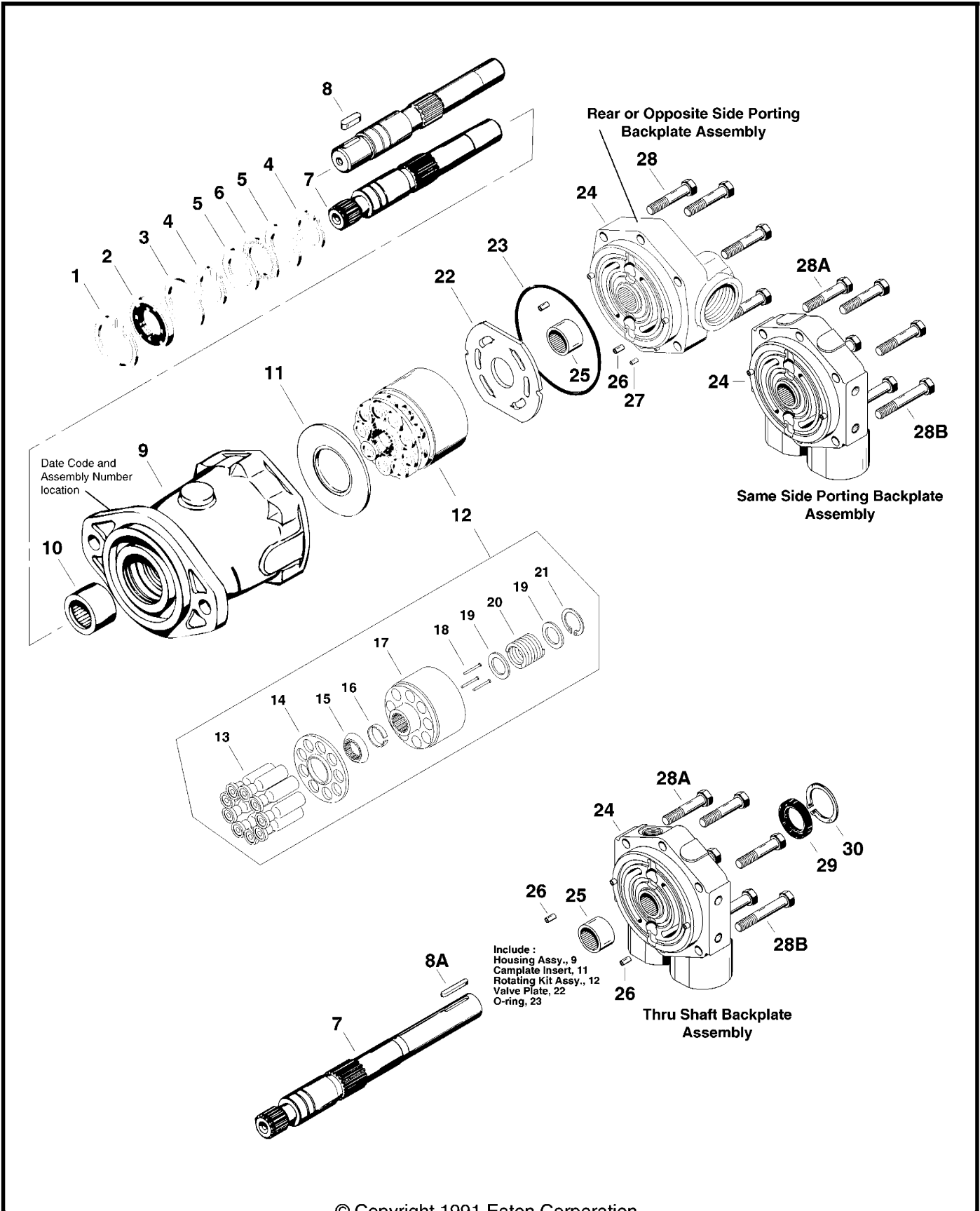
Hydraulics

Hydraulic Motor

**Model 74318 and 74348 Piston Motors
Fixed Displacement, Valve Plate Design**



Parts Drawing



Parts List

The parts below are used in the 74318-DAA, -DAB, -DAC, -DAH and 74348- DAB.
Other 74318 or 74348 assemblies may vary with special requirements.

Item No.	Description	Quantity	Part Numbers
+	1 Retaining Ring	1	16077-32
+	2 Shaft Seal	1	16253-18
	3 Washer	1	16048-319
+	4 Retaining Ring	2	16078-18
	5 Thrust Race	2	74308-100
	6 Thrust Bearing	1	74308-101
	7 Drive Shaft	1	◆
	13 T, 22.2 mm [.875 in. Dia.] Shaft		73410-201
	Keyed, 22.2 mm [.875 in. Dia.] Shaft		73410-211
	13 T, 22.2 mm [.875 in. Dia.] Thru Sht.		74440-202
	8 Key	1	24500-619
	8 A Key (Used on thru shaft only)	1	16246-430
	9 Housing Assembly (Includes item #10)	1	◆
	Not bored with case drain port		73418-317
	Case drain port in boss of housing		73418-319
	10 Needle Bearing	1	16238-11816
	11 Camplate Insert	1	73400-605
	12 Rotating Kit Assembly (Includes item #13 thru #21)	1	70402-649
	13 Piston Assembly	9	N/S
	14 Spider	1	N/S
	15 Spider Pivot	1	N/S
	16 Pin Keeper	1	N/S
	17 Piston Block	1	N/S
	18 Pins	3	N/S
	19 Washer	2	N/S
	20 Spring	1	N/S
	21 Retaining Ring	1	N/S
	22 Valve Plate	1	74308-50
+	23 O - ring	1	16015-55
	24 Backplate Assembly (Includes item #25 thru #27)	1	◆
	Rear Porting, 1-5/16 -12, with case drain		74300-405
	Rear Porting, 1-5/16 -12, without case drain		74300-409
	Side Porting, 1-5/16 -12, without case drain		74300-407
	Same Side Porting, 1-5/16 -12, w/out case drain		74348-402
	Same Side Porting, Thru Shaft, w/ case drain		74348-404
	25 Needle Bearing	1	70421-150
	26 Roll Pin	2	16026-608
	27 Roll Pin	1	16026-408

Item No.	Description	Quantity	Part Numbers
2 8	Cap Screws	6	16032-516
2 8 A	Cap Screws (Use with same side porting)	3	16032-516
2 8 B	Cap Screws (Use with same side porting)	3	16032-524
+ + 2 9	Shaft Seal (In thru shaft backplate)	1	16253-14
+ + 3 0	Retaining Ring (In thru shaft backplate)	1	16077-22
•	Seal Repair Kit	1	74418-904
•	Seal Repair Kit (Used w/ thru shaft backplate)	1	74448-900

- ◆ Refer to Specific Assembly Number.
- + Parts included in both seal repair kits.
- ++ Parts included in thru shaft seal repair kit.
- N/S Non/Serviceable

Specific Assembly Parts

Item	Description	Qty	Assembly Number				
			74318-DA	74318-DA	74318-DA	74318-DA	74348-DA
7	Drive Shaft	1	73410-201	73410-201	73410-201	73410-201	74440-202
9	Housing Assembly	1	73418-319	73418-319	73418-319	73418-317	73418-317
2 4	Backplate Assembly	1	74348-402	74300-407	74300-409	74300-405	74348-404
•	Seal Repair Kit	1	74418-904	74418-904	74418-904	74418-904	74448-900

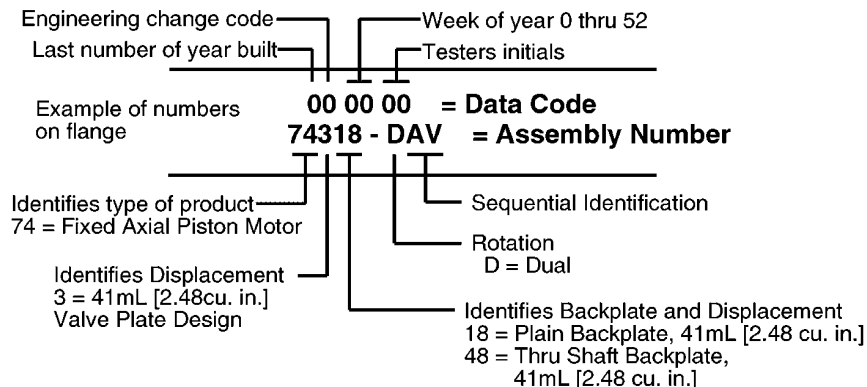
Note, refer to catalog number 11-101 for detailed information on assemblies.

Each order must include the following information:

1. Product Number and/or Part Number
2. Date Code
3. Part Name
4. Quantity

Identification Numbers

Stamped on each units mounting flange.



Eaton
14615 Lone Oak Road
Eden Prairie, MN 55344
USA
Tel: 952 937-9800
Fax: 952 974-7722
www.hydraulics.eaton.com

Eaton
20 Rosamond Road
Footscray
Victoria 3011
Australia
Tel: (61) 3 9319 8222
Fax: (61) 3 9318 5714

Eaton
46 New Lane, Havant
Hampshire PO9 2NB
England
Tel: (44) 23 92 486 451
Fax: (44) 23 92 487 110