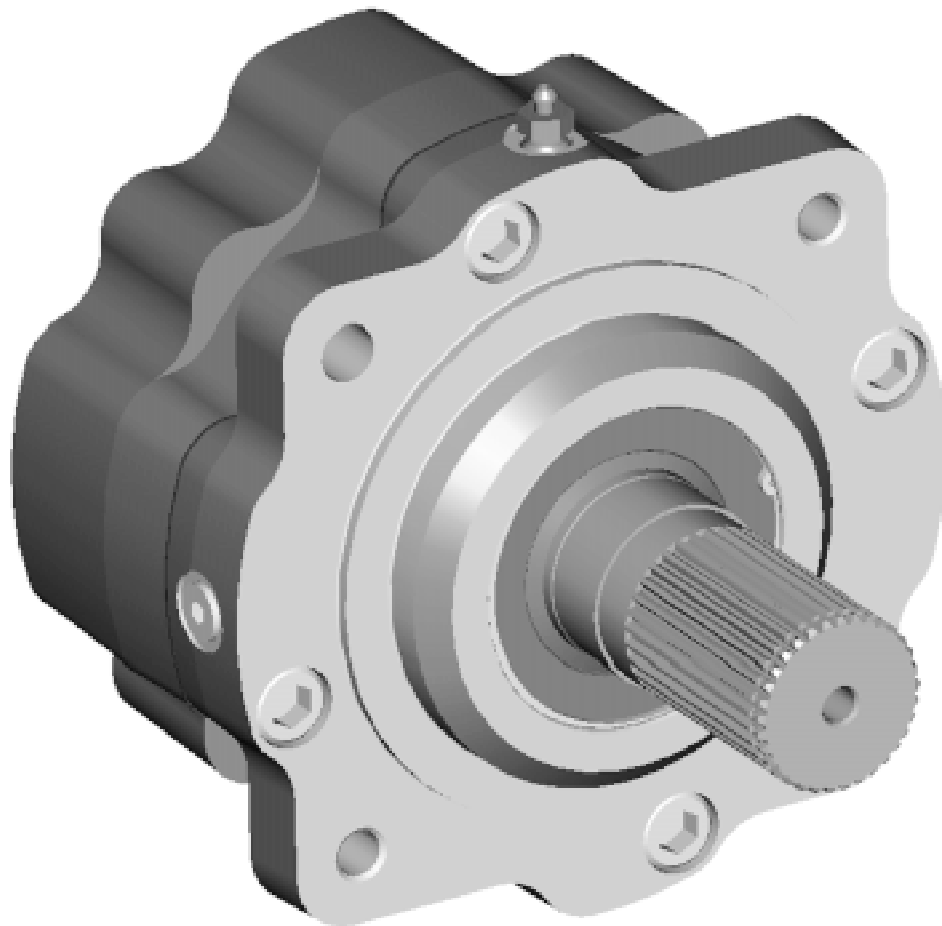


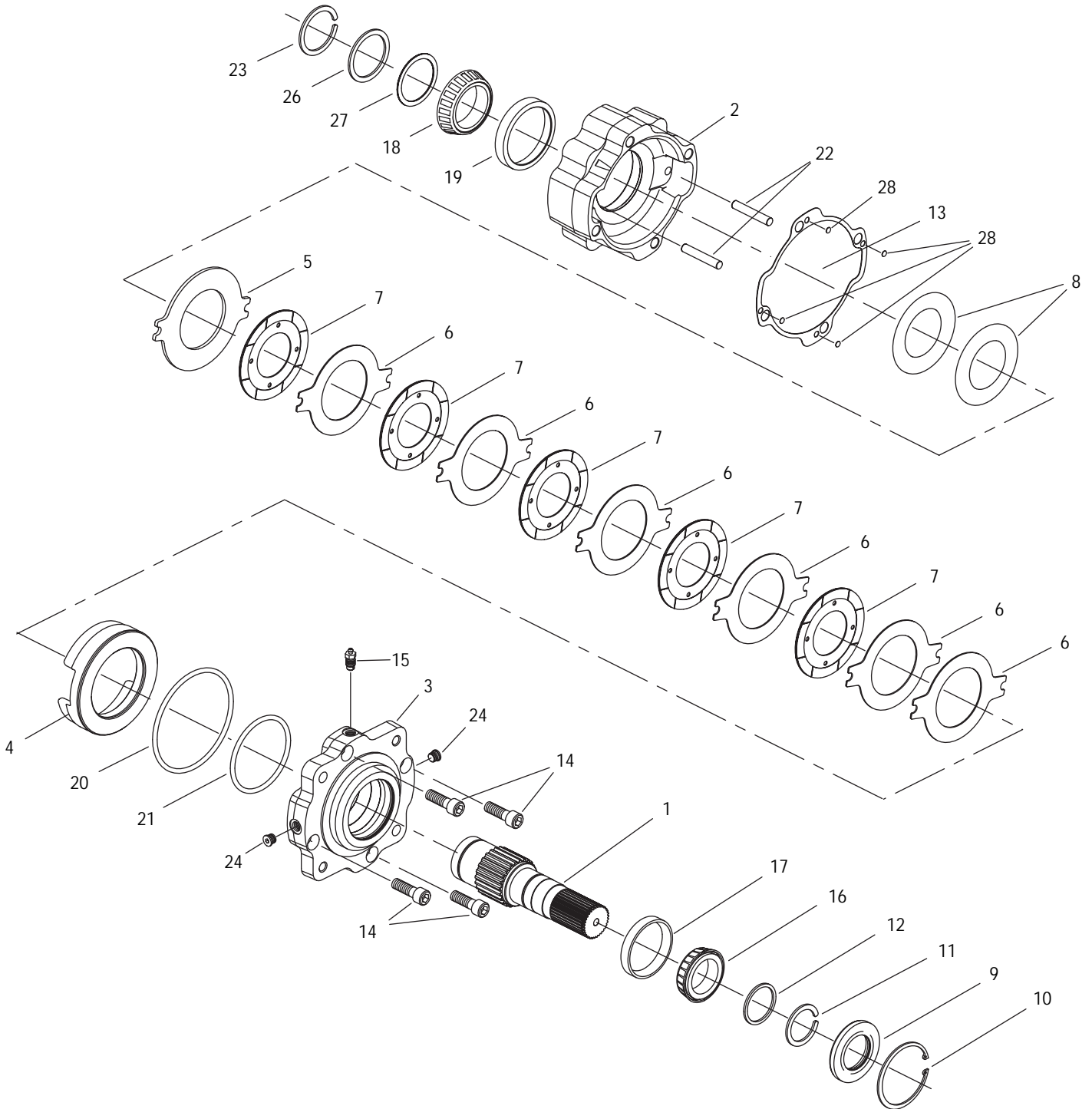


## Parts Information



**Spring Applied Hydraulic Release Bearing/Brake  
Assembly for Series VIS 45 Bearingless Motors**

# Spring Applied Hydraulic Release Bearing/Brake Assembly for Series VIS 45 Bearingless Motors



# Spring Applied Hydraulic Release Bearing/Brake Assembly for Series VIS 45 Bearingless Motors

Ref. No.	Part No.	Description	Seal Kit 61321-000 (Quantity)	Lining Kit 61322-000 (Quantity)	Bearing Kit 61323-000 (Quantity)	Brake Service Kit No. 61325-000 (Complete Assembly — Includes all these parts "Assembled" - Quantity)
1	NSS	Shaft, Output				1
2	NSS	Housing, Spring				4
3	NSS	Housing, Piston				1
4	NSS	Piston				1
5	NSS	Reaction Plate		1		1
6	NSS	Stator Plate		6		6
7	NSS	Lining Assembly		5		5
8	NSS	Spring, Disc				2
9	NSS	Seal, Shaft	1			1
10	NSS	Snap Ring, Seal	1			1
11	NSS	Snap Ring, Shaft			1	1
12	NSS	Washer			1	1
13	NSS	Gasket	1			1
14	NSS	SHCS 5/8-18 x 2				4
15	NSS	Bleeder				1
16	NSS	Bearing, Cone (387S)			1	1
17	NSS	Bearing, Cup (382A)			1	1
18	NSS	Bearing, Cone (29675)			1	1
19	NSS	Bearing, Cup (29620)			1	1
20	NSS	O-ring	1			1
21	NSS	O-ring	1			1
22	NSS	Pin		2		2
23	NSS	Snap Ring			1	1
24	NSS	Plug/O-ring S/A				2
26	NSS	Washer			1	1
27	NSS	Shim Pack Qty. 6 (2, 2, 2)			1 Pack	1
28	NSS	Shim, (A1 Crush Pins)	4			4

NSS — Not Sold Separately

# Spring Applied Hydraulic Release Bearing/Brake Assembly for Series VIS 45 Bearingless Motors

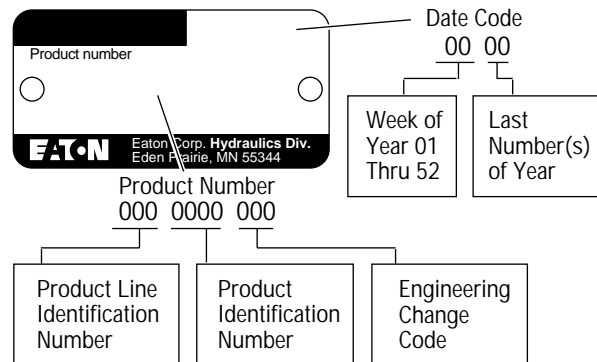
## How to Order Replacement Parts Kits

### Each Order Must Include the Following:

1. Product Number
2. Date Code
3. Kit Number

For More Detailed Information Contact Eaton Corp. Hydraulics Division 15151 Highway 5 Eden Prairie, MN 55344.

- Motor specifications and performance data, Catalog No. 11-112
- When servicing bearing/brake for Series VIS 45 bearingless motors refer to Repair Information No. 7-161. This repair manual lists tools required, and step by step disassembly and reassembly procedures.



Eaton Corporation  
Hydraulics Division  
15151 Hwy. 5  
Eden Prairie, MN 55344  
Telephone: 612/937-7254  
Fax: 612/937-7130

Eaton Ltd.  
Hydraulics Division  
Glenrothes, Fife  
Scotland, KY7 4NW  
Telephone: [+44] (0)1592-771-771  
Fax: [+44] (0)1592-773-184

Eaton B.V.  
Boeing Avenue 11  
1119 PC Schiphol-Rijk  
The Netherlands  
Telephone: [+31] (0)20-655 6776  
Fax: [+31] (0)20-655 6800

Sumitomo Eaton Hydraulic Co.  
8 Temasek Blvd.  
42-01 Suntec Tower Three  
Singapore 03988  
Telephone: [+65] 832-7727  
Fax: [+65] 832-7733

Sumitomo Eaton  
Hydraulic Company Ltd.  
Ooi-Cho Kameoka-Shi  
621-0017 Kyoto  
Japan  
Telephone: [+81] 771-22-9601  
Fax: [+81] 771-29-2020

Eaton Ltd.  
7th Floor, Woo Duk Building  
832-2 Yeoksam-Dong, Kangnam-Ku  
Seoul 135-750  
Korea  
Telephone: [+82] 2-557-0595  
Fax: [+82] 2-557-1634

Eaton Hydraulics (Shanghai) Co. Ltd.  
388 Aidu Road, Waigaogiao FTZ  
Pudong New Area  
Shanghai 200137  
Peoples Republic of China  
Telephone: [+86] 21-5046 0758  
Fax: [+86] 21-5046 0767

Jining Eaton Hydraulic Co. Ltd.  
6 Ji Da Road  
Jining City  
Shandong Province 272131  
Peoples Republic of China  
Telephone: [+86] 537-2221288  
Fax: [+86] 537-2221557