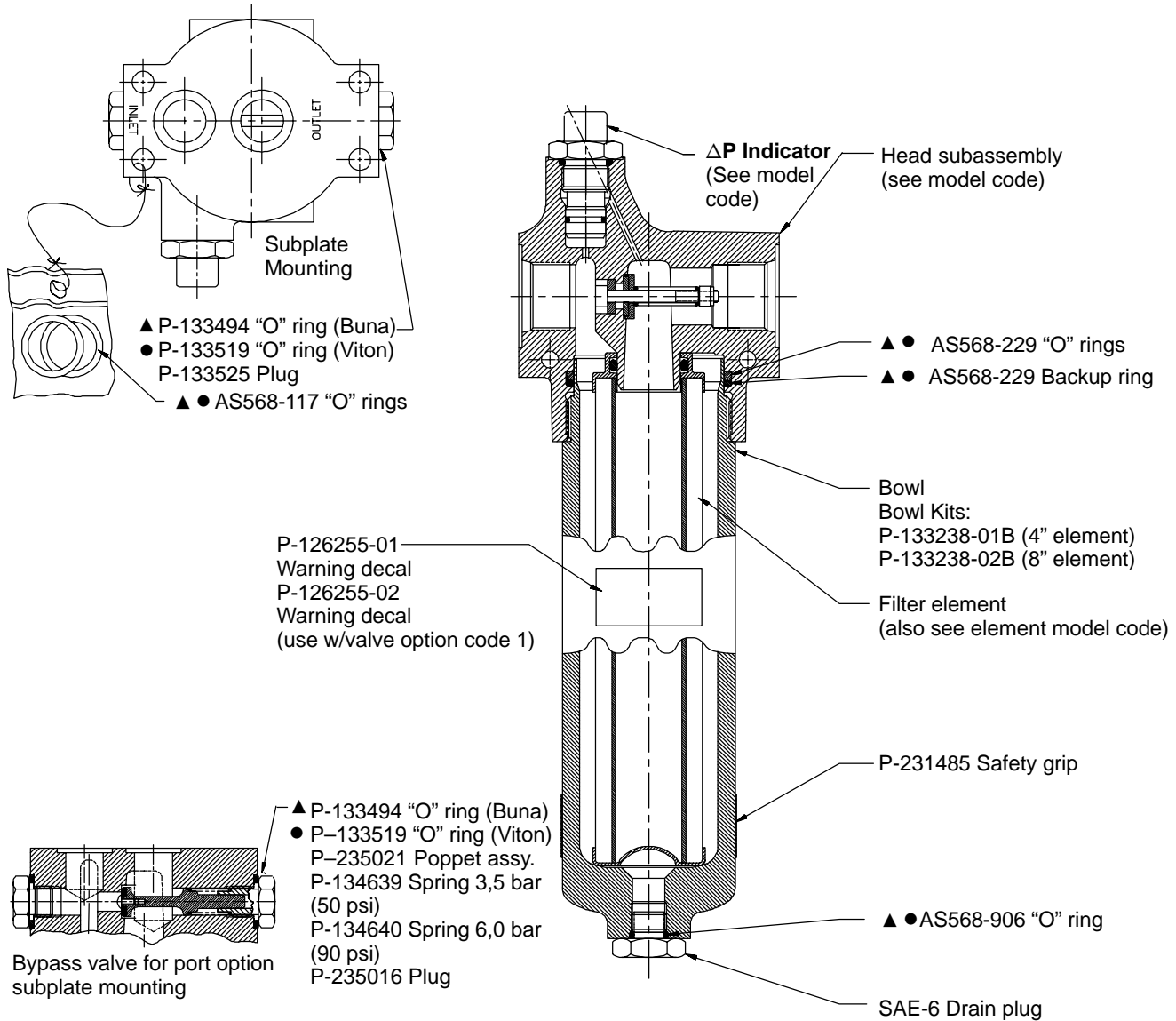


H440 Series High Performance High Pressure Filter

Flows to 91 L/min (24 USgpm) 275 bar (4000 psi)

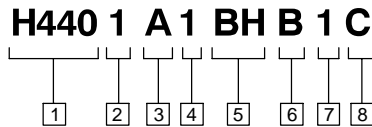


- ▲ Included in seal kit P-427466-22 Buna
- Included in seal kit P-427466-23 Viton

NOTE: Bowl kits contain Buna-N seals, to order Viton seals, replace **B** in part number with a **V**

Example:
 From: P-133235-01**B**, for Buna.
 To: P-133235-01**V**, for Viton.

Head Sub Assembly Model Code



1 Filter series

H440

2 Element collapse rating

- 1 – 10 bar (150 PSID)
- 5 – 310 bar (4500) (H-pak only)

3 Port option

- A** – 1.062-12UN SAE–12 Str. thd. (3/4" tube)
- S** – Subplate mounting

4 Valve option

- 1 – Non-bypass
- 4 – Bypass set at 3,5 ± 0,35 bar (50 ± 5 PSID) cracking pressure
- 6 – Bypass set at 6,2 ± 0,70 bar (90 ± 10 PSID) cracking pressure

5 ΔP indicator & receptacle options

First designator (Indicator type)

- A** – Visual ΔP indicator w/surge control 4,8 ± 0,5 bar (70 ± 7 PSID)
- B** – Elect./visual ΔP indicator w/surge control 4,8 ± 0,5 bar (70 ± 7 PSID)
- D** – Electrical/visual ΔP 2,4 ± 0,35 bar (35 ± 5 PSID)
- E** – Elect./visual ΔP 7 ± 0,85 bar (100 ± 12 PSID)
- G** – Elect./visual ΔP 2,4 ± 0,35 bar (35 ± 5 PSID) thermal lockout 38° C (100° F)
- I** – Visual ΔP indicator 4,8 ± 0,5 bar (70 ± 7 PSID) thermal lockout 38° C (100° F)
- J** – No ΔP indicator plug and seal
- K** – Visual ΔP indicator with 1,03 ± 0,27 bar (15 ± 4 PSID) actuation & thermal lockout 38° C (100° F)
- L** – Visual ΔP indicator with 2,4 ± 0,35 bar (35 ± 5 PSID) actuation & thermal lockout 38° C (100° F)

- O** – Visual ΔP indicator with 7 ± 0,85 bar (100 ± 12 PSID) actuation & thermal lockout 38° C (100° F)
- R** – Elect./visual ΔP 2,4 ± 0,35 bar (35 ± 4 PSID)
- T** – Elect./visual ΔP 7 ± 0,85 bar (100 ± 12 PSID)
- U** – Elect./visual ΔP 4,8 ± 0,5 bar (70 ± 7 PSID)
- V** – Elect./visual ΔP indicator 4,8 ± 0,5 bar (70 ± 7 PSID) thermal lockout 38° C (100° F)
- W** – Elect./visual ΔP indicator with 7 ± 0,85 bar (100 ± 12 PSID) actuation & thermal lockout 38° C (100° F)
- Y** – Elect./visual ΔP indicator with 2,4 ± 0,35 bar (35 ± 5 PSID) actuation & thermal lockout 38° C (100° F) & surge control
- Z** – Elect./visual ΔP indicator with 7 ± 0,85 bar (100 ± 12 PSID) actuation & thermal lockout 38° C (100° F) & surge control

Second designator (Electrical receptacle)

- B** – 5-pin Brad Harrison (41512)
- H** – Din 43650 or Herschmann receptacle (GSA plug) 3 poles plus ground
- N** – No receptacle – Use with visual ΔP indicator

6 Seal material

- B** – Buna–N
- V** – Viton–A

7 Bowl length mm (in)

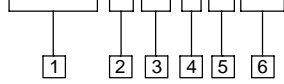
- 1 – 184,4 (7.3)
- 2 – 286,0 (11.3)

8 Element construction

- C** – C-pak media (3,5 & 10)
- H** – H-pak media (3 & 10)

Element Model Code

V304 1 B 1 C 05



1 Filter element

V304 – For use with H340 series filters

2 Element collapse rating

1 – 150 PSID (10 bar)
5 – 4500 PSID (310 bar) (H-pak only)

3 Seal material

B – Buna-N
V – Viton-A

4 Bowl length mm (in)

1 – 184,4 (7.3)
2 – 286,0 (11.3)

Element length mm (in)

101 (4.0)
203 (8.0)

5 Element construction

C – C-pak (3, 5, 10)
H – H-pak high collapse media (3 & 10 only)

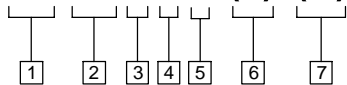
6 Fluid cleanliness ratings

Code	Fluid cleanliness level
03	16/14/12 or better
05	18/16/14 or better
10	20/18/15 or better

The table above assumes limited ingress and a single pass of pump flow through the element. For more detailed information, please consult Vickers Guide to Systemic Contamination Control **561** or contact your local Vickers Distributor.

Differential Pressure Indicator Model Code

P * * * * * (S) (M)



1 Style option

PV – Visual
PE – Electrical
PD – Electrical/Visual

2 Actuation pressure option

015 – 15 ± 4 PSID (1 bar)
035 – 35 ± 5 PSID (2,4 bar)
070 – 70 ± 7 PSID (4,8 bar)
(not an option with 330/340 filters)
100 – 100 ± 12 PSID (6,9 bar)

3 Thermal lockout option

N – No thermal lockout
(not an option with IFI indicator)
T – Thermal lockout
(standard TLO=80 ± 20° F)

4 Seal option

1 – Buna-N
2 – Viton

5 Receptacle option

B – 5-pin Brad Harrison (41512)
(not an option with visual indicator)
H – Hirschman (DIN 43650)
(not an option with visual indicator)
N – No receptacle (use with visual indicator)
(not an option with IFI indicator)

6 Surge control option

None – No surge control
S – Surge control
(not an option with 330/340 filters)

7 Filter series option

None – Standard
M – 330/340 Filters only

Eaton Hydraulics

15151 Highway 5
Eden Prairie, MN 55344
Telephone: 612 937-7254
Fax: 612 937-7130
www.eatonhydraulics.com

46 New Lane, Havant
Hampshire PO9 2NB
England
Telephone: (44) 170-548-6451
Fax: (44) 170-548-7110