

### L041 Series Low Pressure Filter Flows to 1135 L/min (300 USgpm)

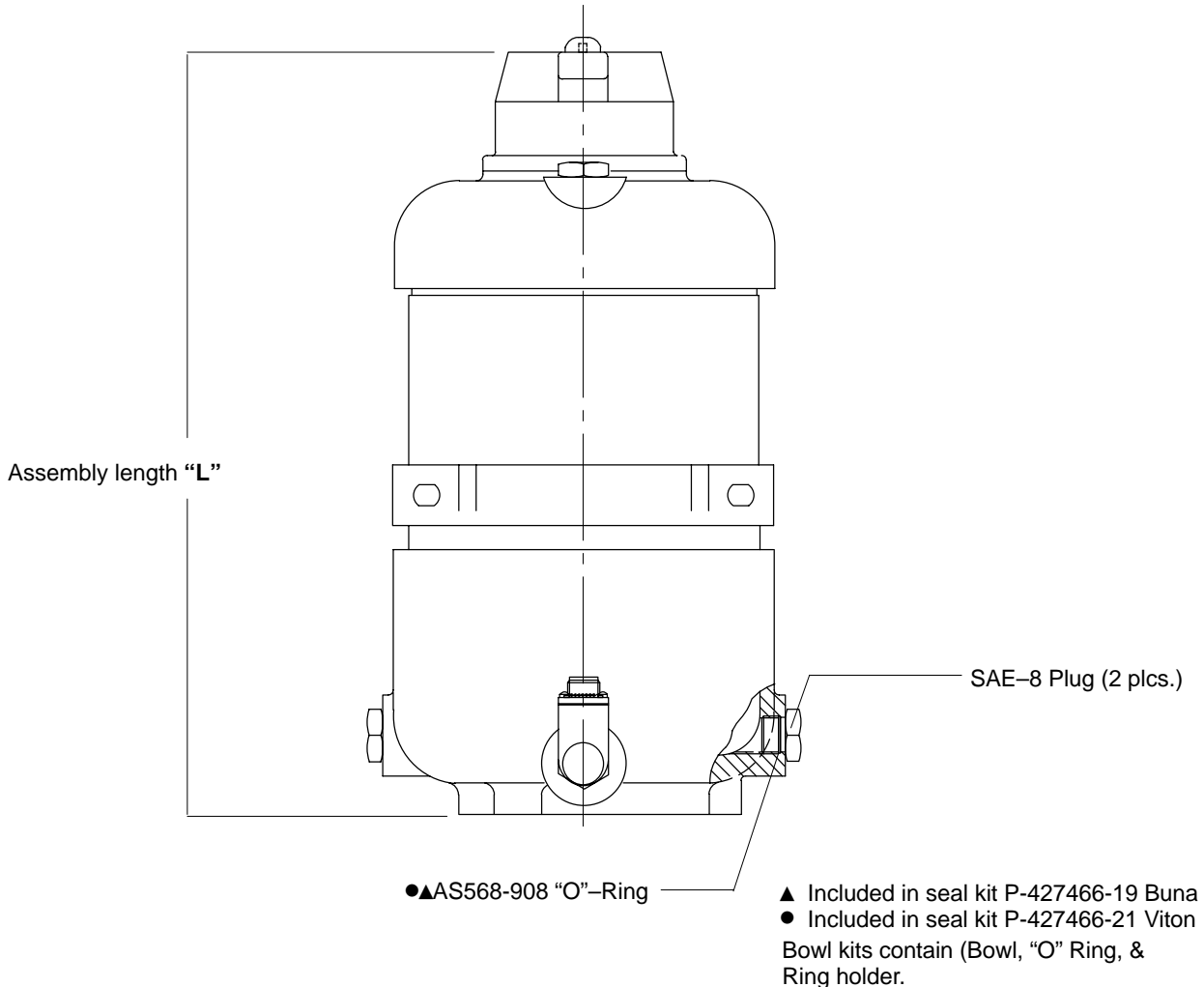


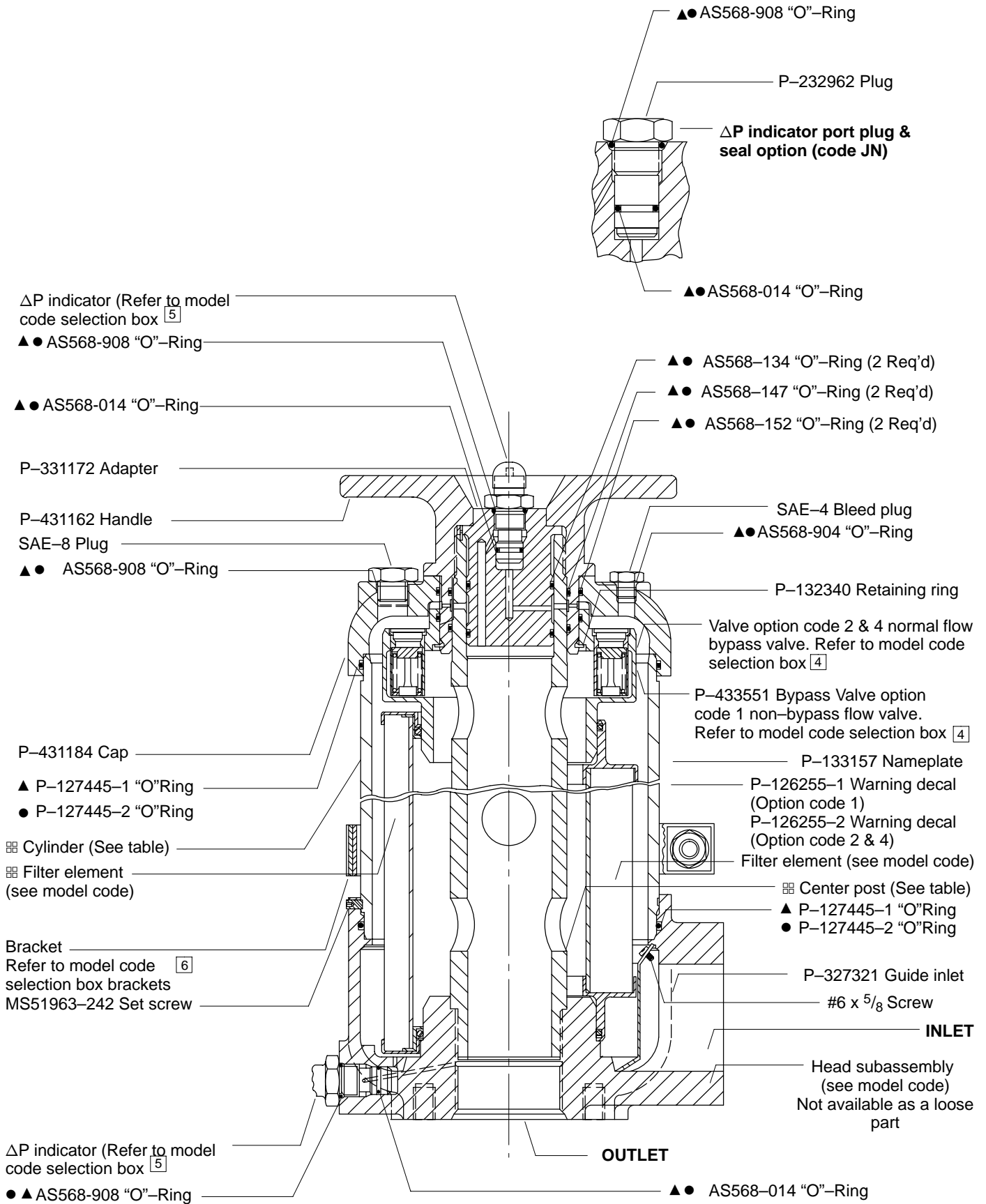
**CAUTION**

Before servicing the element, the bleed plug in filter housing must be loosened to relieve hydraulic pressure. This will minimize fluid overflow.

☒ Assembly length "L" code option (Refer to model code selection)

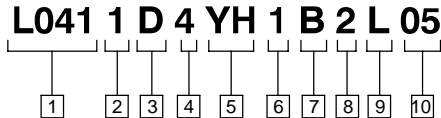
| Model code | ☒ Assy. length (mm) in. | ☒ Cylinder | ☒ Center post | # of clamp assy. req'd |
|------------|-------------------------|------------|---------------|------------------------|
| 2          | (382.57) 15.062         | P-331207-1 | P-231261-1    | 1                      |
| 5          | (602.97) 23.739         | P-331207-2 | P-231261-2    | 2                      |
| 8          | (1157.30) 45.563        | P-331207-3 | P-231261-3    | 3                      |





- ▲ Included in seal kit P-427466-19 Buna
- Included in seal kit P-427466-21 Viton

# Housing Model Code



**1 Filter series**

**L041**

**2 Element collapse rating**

**1** – 150 PSID

NOTE: **1** – use with bypass valve or monitored  $\Delta P$  indicator

**3 Port option**

**D** – 1½" SAE–J514 straight thread

**J** – 2" SAE–J518 split flange Code 61

**K** – 2½" SAE–J518 split flange Code 61

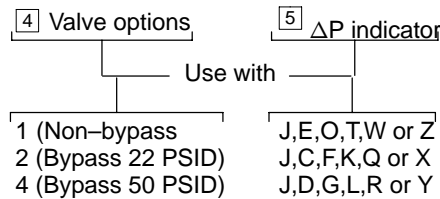
**4 Valve option**

**1** – Non–bypass

**2** – Bypass set at 22 ± 3 PSID cracking pressure.

**4** – Bypass set at 50 ± 5 PSID cracking pressure.

NOTE: Do not use option **1** in systems with surge pressures over 120 PSID.



**5  $\Delta P$  indicator & receptacle options**  
**First designator** (Indicator type)

**C** – Electrical/visual  $\Delta P$  15 ± 4 PSID.

**D** – Electrical/visual  $\Delta P$  35 ± 5 PSID.

**5  $\Delta P$  indicator, First designator**  
(Indicator type) (con't.)

**E** – Electrical/visual  $\Delta P$  100 ± 12 PSID.

**F** – Electrical/visual  $\Delta P$  15 ± 4 PSID thermal lockout (100° F).

**G** – Electrical/visual  $\Delta P$  35 ± 5 PSID thermal lockout (100° F).

**J** – No  $\Delta P$  indicator.

**K** – Visual  $\Delta P$  indicator with 15 ± 4 PSID actuation & thermal lockout (100° F)

**L** – Visual  $\Delta P$  indicator with 35 ± 5 PSID actuation & thermal lockout (100° F).

**O** – Visual  $\Delta P$  indicator with 100 ± 12 PSID actuation & thermal lockout (100° F).

**Q** – Electrical  $\Delta P$  switch with 15 ± 4 PSID actuation.

**R** – Electrical  $\Delta P$  switch with 35 ± 5 PSID actuation.

**T** – Electrical  $\Delta P$  switch with 100 ± 12 PSID actuation.

**W** – Electrical/visual  $\Delta P$  100 ± 12 PSID thermal lockout (100° F).

**X** – Electrical/visual  $\Delta P$  15 ± 4 PSID thermal lockout (100° F) & surge control.

**Y** – Electrical/visual  $\Delta P$  35 ± 5 PSID thermal lockout (100° F) & surge control.

**Z** – Electrical/visual  $\Delta P$  100 ± 12 PSID thermal lockout (100° F) & surge control.

**Second designator** (Electrical receptacle)

**B** – 5 pin Brad Harrison (41512)

**H** – DIN 43650 or Hirschman receptacle (GSA plug) 3 poles plus ground.

**5 Second designator electrical receptacle options** (con't.)

**N** – No receptacle – Use with visual  $\Delta P$  indicator.

**6 Brackets**

**1** – No bracket

**2** – Single bracket (Bowl # 2)

**3** – Double bracket (Bowl # 5)

**4** – Triple bracket (Bowl # 8)

**7 Seal material**

**B** – Buna–N

**V** – Viton–A

**8 Bowl length**  
**mm (in)**

**2** – 358 (14.0)

**5** – 574 (22.6)

**8** – 1303 (51.3)

**Element code**  
**length mm (in)**

**203,2 (8)**

**406,4 (16)**

**990,6 (39)**

**9 Element construction**

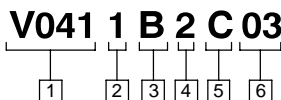
**C** – C–pak (3, 5, 10, 20)

**L** – L–pak (grade 3,5,10,20)

**10 Fluid cleanliness ratings**

| Code      | Fluid cleanliness level |
|-----------|-------------------------|
| <b>03</b> | 16/14/12 or better      |
| <b>05</b> | 18/16/14 or better      |
| <b>10</b> | 20/18/15 or better      |
| <b>20</b> | 22/19/16 or better      |

# Element Model Code



**1 Filter element**

**V041** – For use with L041 series filters

**2 Element collapse rating**

**1** – 150 PSID for C–pak

100 PSID for L–pak

NOTE: **1** – use with bypass valve or monitored  $\Delta P$  indicator

**3 Seal material**

**B** – Buna–N

**V** – Viton–A

**4 Bowl length**  
**mm (in)**

**2** – 358 (14.0)

**5** – 574 (22.6)

**8** – 1303 (51.3)

**Element code**  
**length mm (in)**

**203,2 (8)**

**406,4 (16)**

**990,6 (39)**

**5 Element construction**

**C** – C–pak (3,5,10 & 20)

**L** – L–pak (grade 3, 5,10, 20)

**6 Fluid cleanliness ratings**

| Code      | Fluid cleanliness level |
|-----------|-------------------------|
| <b>03</b> | 16/14/12 or better      |
| <b>05</b> | 18/16/14 or better      |
| <b>10</b> | 20/18/15 or better      |
| <b>20</b> | 22/19/16 or better      |

The table above assumes limited ingress and a single pass of pump flow through the element. For more detailed information, please consult Vickers Guide to Systemic Contamination Control **561** or contact your local Vickers Distributor.