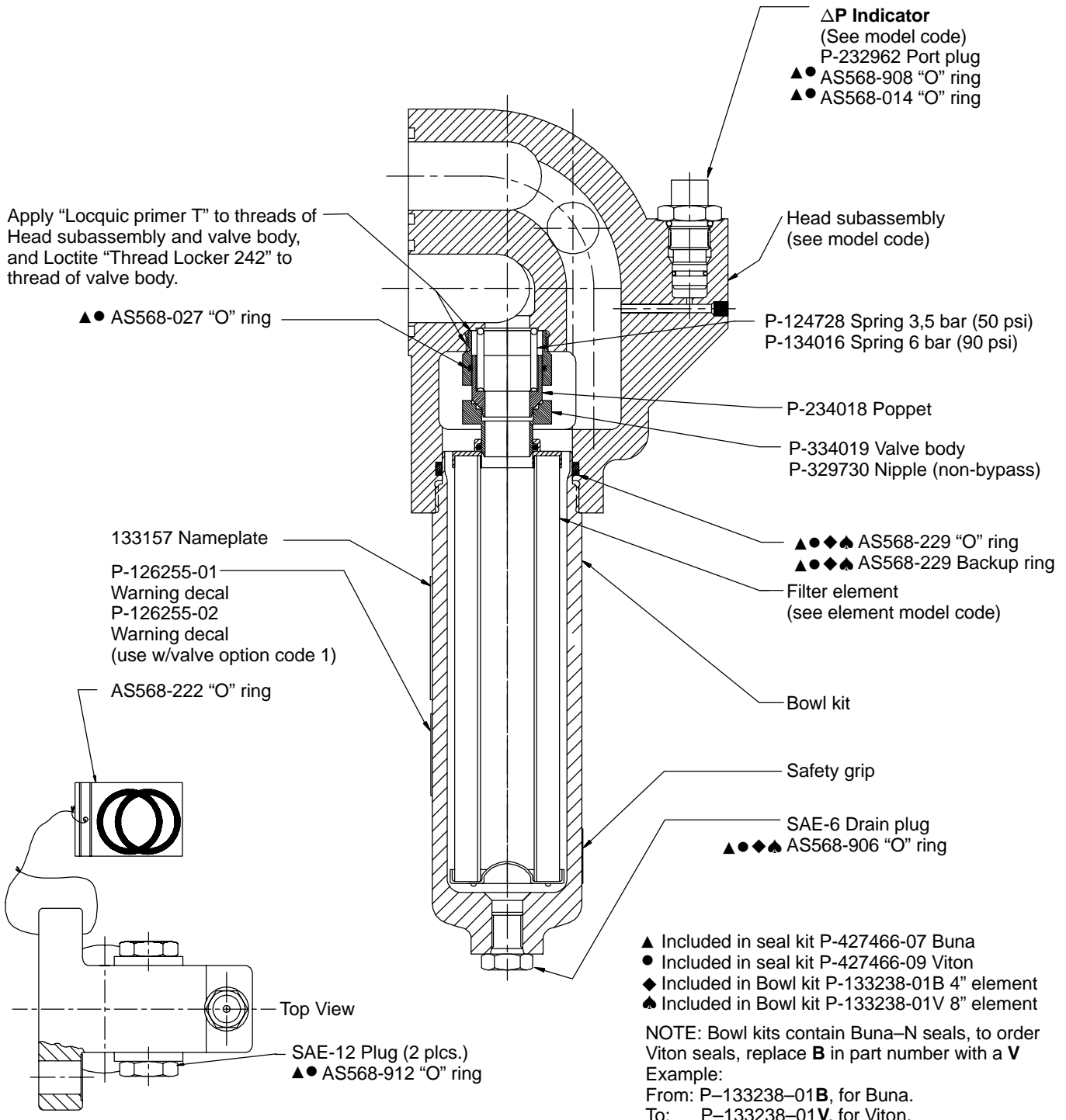
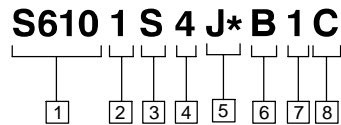


S610 Series High Performance High Pressure Filter

Flows to 208 L/min (55 USgpm) 414 bar (6000 psi)



Head Sub Assembly Model Code



1 Filter series

S610

2 Element collapse rating

- 1 – 10 bar (150 PSID)
- 4 – 210 bar (3000) (H-pak only)

3 Port option

- S – Subplate mounting

4 Valve option

- 1 – Non-bypass
- 4 – Bypass set at $3,5 \pm 0,35$ bar (50 ± 5 PSID) cracking pressure
- 6 – Bypass set at $6,2 \pm 0,70$ bar (90 ± 10 PSID) cracking pressure

5 Δ P indicator & receptacle options

First designator (Indicator type)

- A – Visual Δ P indicator w/surge control $4,8 \pm 0,5$ bar (70 ± 7 PSID)
- B – Elect./visual Δ P indicator w/surge control $4,8 \pm 0,5$ bar (70 ± 7 PSID)
- D – Electrical/visual Δ P $2,4 \pm 0,35$ bar (35 ± 5 PSID)
- E – Elect./visual Δ P $7 \pm 0,85$ bar (100 ± 12 PSID)
- G – Elect./visual Δ P $2,4 \pm 0,35$ bar (35 ± 5 PSID) thermal lockout 38° C (100° F)
- I – Visual Δ P indicator $4,8 \pm 0,5$ bar (70 ± 7 PSID) thermal lockout 38° C (100° F)
- J – No Δ P indicator plug and seal
- M – Visual Δ P $2,4 \pm 0,35$ bar (35 ± 5 PSID) thermal lockout 38° C (100° F)
- P – Visual Δ P indicator with $7 \pm 0,85$ bar (100 ± 12 PSID) actuation & thermal lockout 38° C (100° F) & surge control

- R – Elect./visual Δ P $2,4 \pm 0,35$ bar (35 ± 4 PSID)
- T – Elect./visual Δ P $7 \pm 0,85$ bar (100 ± 12 PSID)
- U – Elect./visual Δ P $4,8 \pm 0,5$ bar (70 ± 7 PSID)
- V – Elect./visual Δ P indicator $4,8 \pm 0,5$ bar (70 ± 7 PSID) thermal lockout 38° C (100° F)
- W – Elect./visual Δ P indicator with $7 \pm 0,85$ bar (100 ± 12 PSID) actuation & thermal lockout 38° C (100° F)
- Y – Elect./visual Δ P indicator with $2,4 \pm 0,35$ bar (35 ± 5 PSID) actuation & thermal lockout 38° C (100° F) & surge control
- Z – Elect./visual Δ P indicator with $7 \pm 0,85$ bar (100 ± 12 PSID) actuation & thermal lockout 38° C (100° F) & surge control

Second designator (Electrical receptacle)

- B – 5-pin Brad Harrison (41512)
- H – Din 43650 or Herschmann receptacle (GSA plug) 3 poles plus ground
- N – No receptacle – Use with visual Δ P indicator

6 Seal material

- B – Buna-N
- V – Viton-A

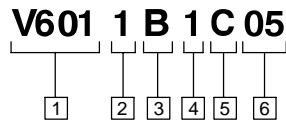
7 Bowl length mm (in)

- 1 – 278 (10.95)
- 2 – 370 (14.58)

8 Element construction

- C – C-pak media (3,5 & 10)
- H – H-pak media (3 & 10)

Element Model Code



1 Filter element

V601 – For use with S610 series filters

2 Element collapse rating

1 – 150 PSID (10 bar)
4 – 3000 PSID (210 bar) (H-pak only)

3 Seal material

B – Buna–N
V – Viton–A

4 Bowl length mm (in)

1 – 165 (6.5)
2 – 259 (10.0)

Element length mm (in)

101 (4.0)
203 (8.0)

5 Element construction

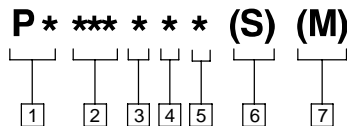
C – C-pak (3, 5, 10)
H – H-pak high collapse media (3 & 10 only)

6 Fluid cleanliness ratings

Code	Fluid cleanliness level
03	16/14/12 or better
05	18/16/14 or better
10	20/18/15 or better

The table above assumes limited ingress and a single pass of pump flow through the element. For more detailed information, please consult Vickers Guide to Systemic Contamination Control **561** or contact your local Vickers Distributor.

Differential Pressure Indicator Model Code



1 Style option

PV – Visual
PE – Electrical
PD – Electrical/Visual

2 Actuation pressure option

015 – 15 ± 4 PSID (1 bar)
035 – 35 ± 5 PSID (2,4 bar)
070 – 70 ± 7 PSID (4,8 bar)
 (not an option with 330/340 filters)
100 – 100 ± 12 PSID (6,9 bar)

3 Thermal lockout option

N – No thermal lockout
 (not an option with IFI indicator)
T – Thermal lockout
 (standard TLO=80 ± 20° F)

4 Seal option

1 – Buna-N
2 – Viton

5 Receptacle option

B – 5-pin Brad Harrison (41512)
 (not an option with visual indicator)
H – Hirschman (DIN 43650)
 (not an option with visual indicator)
N – No receptacle (use with visual indicator)
 (not an option with IFI indicator)

6 Surge control option

None – No surge control
S – Surge control
 (not an option with 330/340 filters)

7 Filter series option

None – Standard
M – 330/340 Filters only