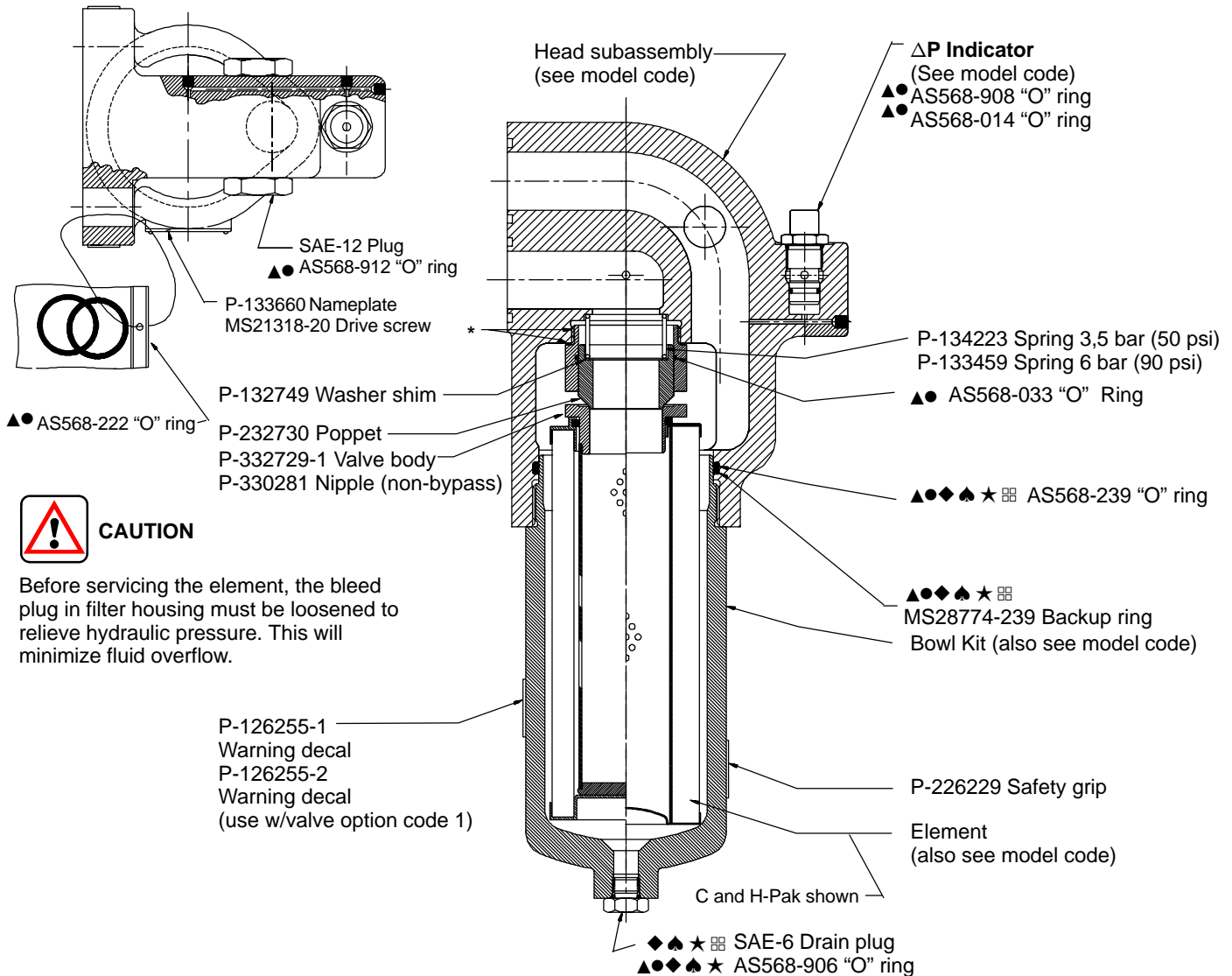


S620 Series High Performance High Pressure Filter

Flows to 568 L/min (150 USgpm) 414 bar (6000 psi)



* Apply "Locquic primer T" to threads of Head subassembly and valve body, and Loctite "Thread Locker 242" to thread of valve body. Apply .090 bead of Loctite around surface of valve body and element core assy.

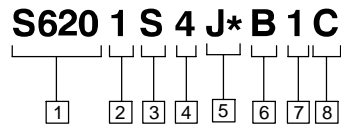
Bowl Kit	Element Code	Element Length
P-133239-01B	1	101 (4.0)
P-133239-02B	2	203 (8.0)
P-133239-04B	4	330 (13.0)
P-133239-05B	5	406 (16.0)

- ▲ Included in seal kit P-427466-10 Buna
- Included in seal kit P-427466-12 Viton
- ◆ Included in 4" Bowl kit P-133239-01B
- ◆ Included in 8" Bowl kit P-133239-02B
- ★ Included in 13" Bowl kit P-133239-04B
- ☒ Included in 16" Bowl kit P-133239-05B

NOTE: Bowl kits contain Buna-N seals, to order Viton seals, replace **B** in part number with a **V**

Example:
From: P-133239-01**B**, for Buna.
To: P-133239-01**V**, for Viton.

Head Sub Assembly Model Code



1 Filter series

S620

2 Element collapse rating

- 1 – 10 bar (150 PSID)
- 4 – 210 bar (3000) (H-pak only)

3 Port option

S – Subplate mounting

4 Valve option

- 1 – Non-bypass
- 4 – Bypass set at $3,5 \pm 0,35$ bar (50 ± 5 PSID) cracking pressure
- 6 – Bypass set at $6,2 \pm 0,70$ bar (90 ± 10 PSID) cracking pressure
- 8 – Reverse flow valve non-bypass
- 9 – Reverse flow valve with bypass set at $3,5 \pm 0,35$ bar (50 ± 5 PSID)

5 ΔP indicator & receptacle options

First designator (Indicator type)

- A** – Visual ΔP indicator w/surge control $4,8 \pm 0,5$ bar (70 ± 7 PSID)
- B** – Elect./visual ΔP indicator w/surge control $4,8 \pm 0,5$ bar (70 ± 7 PSID)
- D** – Electrical/visual ΔP $2,4 \pm 0,35$ bar (35 ± 5 PSID)
- E** – Elect./visual ΔP $7 \pm 0,85$ bar (100 ± 12 PSID)
- G** – Elect./visual ΔP $2,4 \pm 0,35$ bar (35 ± 5 PSID) thermal lockout $38^\circ C$ ($100^\circ F$)
- I** – Visual ΔP indicator $4,8 \pm 0,5$ bar (70 ± 7 PSID) thermal lockout $38^\circ C$ ($100^\circ F$)
- J** – No ΔP indicator plug and seal
- M** – Visual ΔP $2,4 \pm 0,35$ bar (35 ± 5 PSID) thermal lockout $38^\circ C$ ($100^\circ F$)
- P** – Visual ΔP indicator with $7 \pm 0,85$ bar (100 ± 12 PSID) actuation & thermal lockout $38^\circ C$ ($100^\circ F$) & surge control

- R** – Elect./visual ΔP $2,4 \pm 0,35$ bar (35 ± 5 PSID)
- T** – Elect./visual ΔP $7 \pm 0,85$ bar (100 ± 12 PSID)
- U** – Elect./visual ΔP $4,8 \pm 0,5$ bar (70 ± 7 PSID)
- V** – Elect./visual ΔP indicator $4,8 \pm 0,5$ bar (70 ± 7 PSID) thermal lockout $38^\circ C$ ($100^\circ F$)
- W** – Elect./visual ΔP indicator with $7 \pm 0,85$ bar (100 ± 12 PSID) actuation & thermal lockout $38^\circ C$ ($100^\circ F$)
- Y** – Elect./visual ΔP indicator with $2,4 \pm 0,35$ bar (35 ± 5 PSID) actuation & thermal lockout $38^\circ C$ ($100^\circ F$) & surge control
- Z** – Elect./visual ΔP indicator with $7 \pm 0,85$ bar (100 ± 12 PSID) actuation & thermal lockout $38^\circ C$ ($100^\circ F$) & surge control

Second designator (Electrical receptacle)

- B** – 5-pin Brad Harrison (41512)
- H** – Din 43650 or Herschmann recptacle (GSA plug) 3 poles plus ground
- N** – No receptacle – Use with visual ΔP indicator

6 Seal material

- B** – Buna-N
- V** – Viton-A

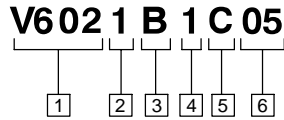
7 Bowl length mm (in)

- 1 – 300,23 (11.82)
- 2 – 392.43 (15.45)
- 4 – 512,32 (20.17)
- 5 – 611,38 (24.07)

8 Element construction

- C** – C-pak media (3,5 & 10)
- H** – H-pak media (3 & 10)

Element Model Code



1 Filter element

V602 – For use with S620 series filters

2 Element collapse rating

1 – 10 bar (150 PSID)
4 – 210 bar (3000) (H-pak only)

3 Seal material

B – Buna–N
V – Viton–A

4 Bowl length mm (in)

1 – 180 (7.00)
2 – 272 (11.00)
4 – 392 (15.00)
5 – 490 (19.00)

Element length mm (in)

101 (4.0)
203 (8.0)
330 (13.0)
406 (16.0)

5 Element construction

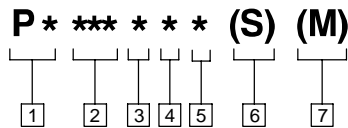
C – C-pak media (3,5 & 10)
H – H-pak media (3 & 10)

6 Fluid cleanliness ratings

Code	Fluid cleanliness level
03	16/14/12 or better
05	18/16/14 or better
10	20/18/15 or better

The table above assumes limited ingress and a single pass of pump flow through the element. For more detailed information, please consult Vickers Guide to Systemic Contamination Control **561** or contact your local Vickers Distributor.

Differential Pressure Indicator Model Code



1 Style option

PV – Visual
PE – Electrical
PD – Electrical/Visual

2 Actuation pressure option

015 – 15 ± 4 PSID (1 bar)
035 – 35 ± 5 PSID (2,4 bar)
070 – 70 ± 7 PSID (4,8 bar)
(not an option with 330/340 filters)
100 – 100 ± 12 PSID (6,9 bar)

3 Thermal lockout option

N – No thermal lockout
(not an option with IFI indicator)
T – Thermal lockout
(standard TLO=80 ± 20° F)

4 Seal option

1 – Buna-N
2 – Viton

5 Receptacle option

B – 5-pin Brad Harrison (41512)
(not an option with visual indicator)
H – Hirschman (DIN 43650)
(not an option with visual indicator)
N – No receptacle (use with visual indicator)
(not an option with IFI indicator)

6 Surge control option

None – No surge control
S – Surge control
(not an option with 330/340 filters)

7 Filter series option

None – Standard
M – 330/340 Filters only