

Vickers™ Filters



Service Data

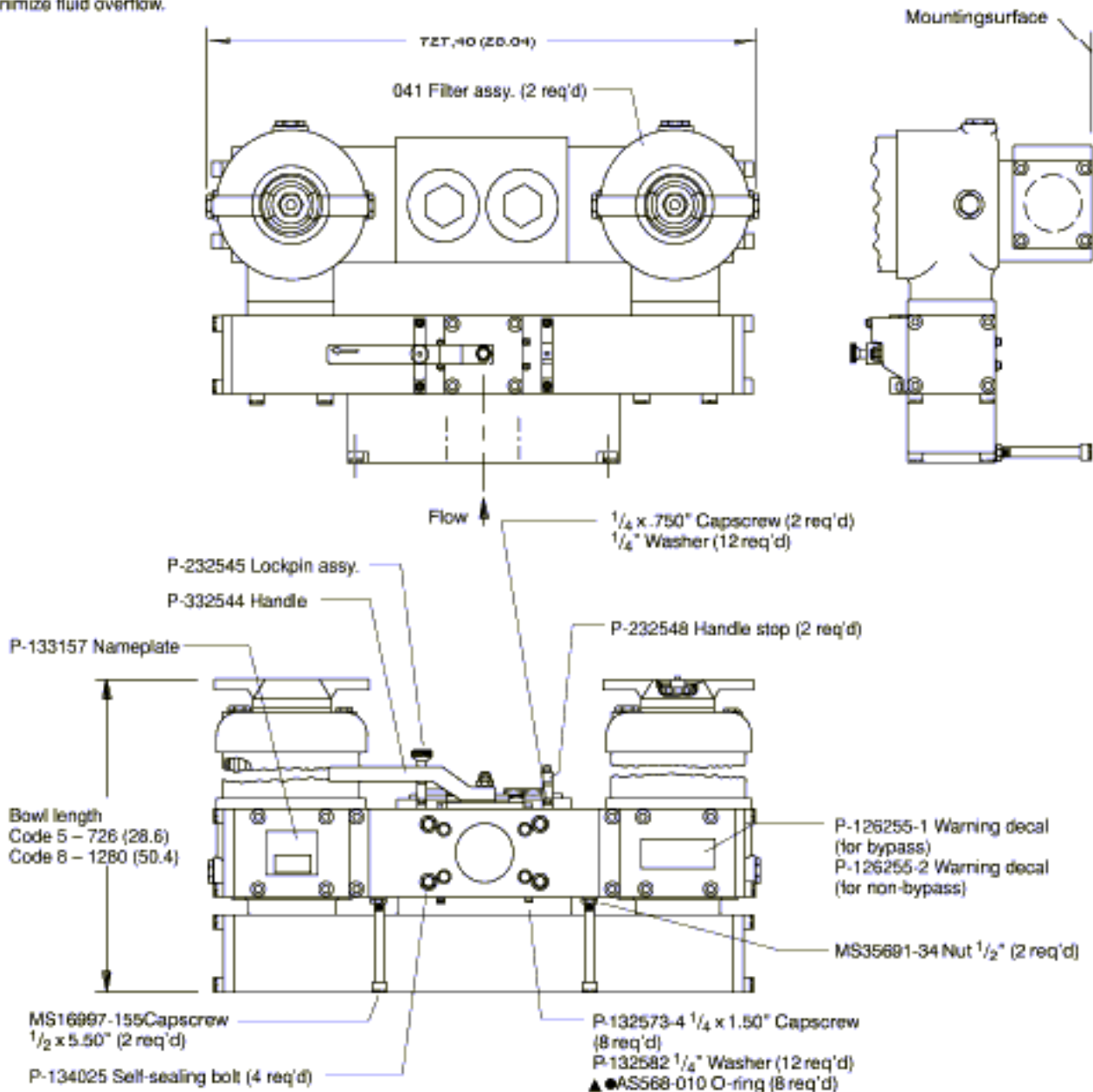
L042 Series Low Pressure Filter

Flows to 1135 L/min (300 USgpm)

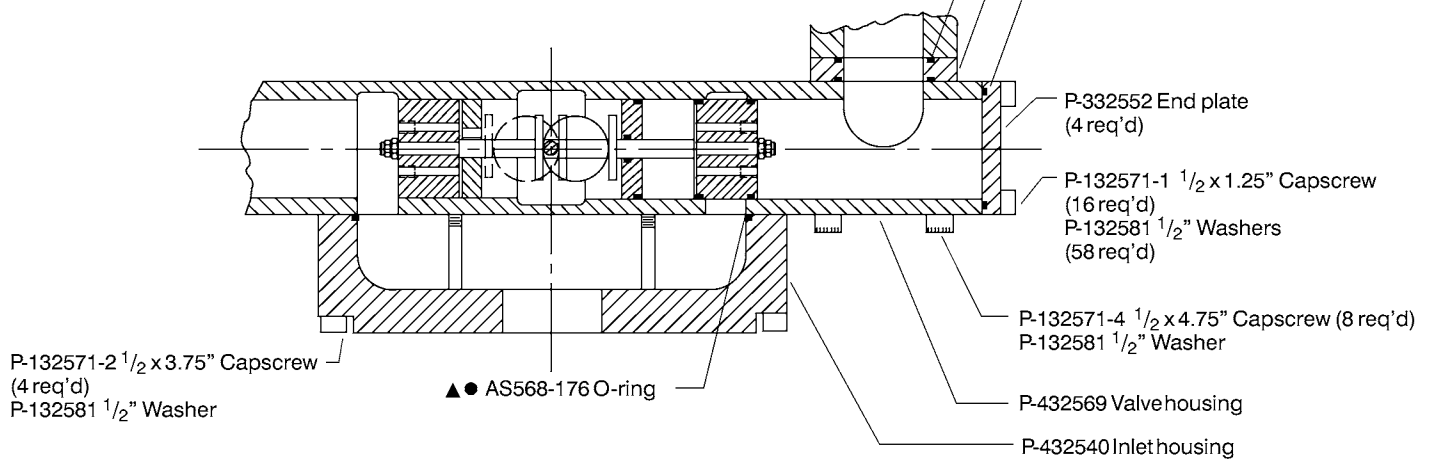
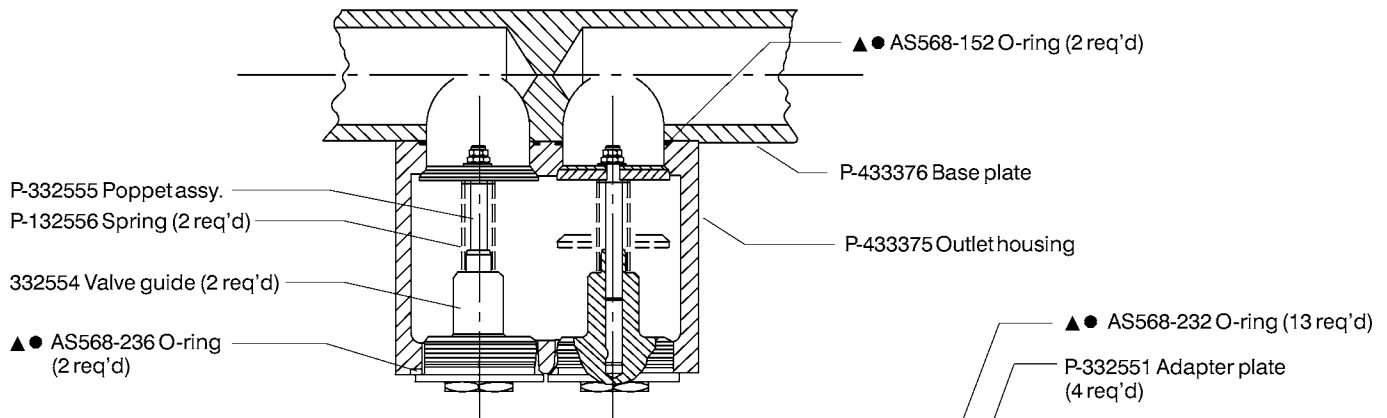
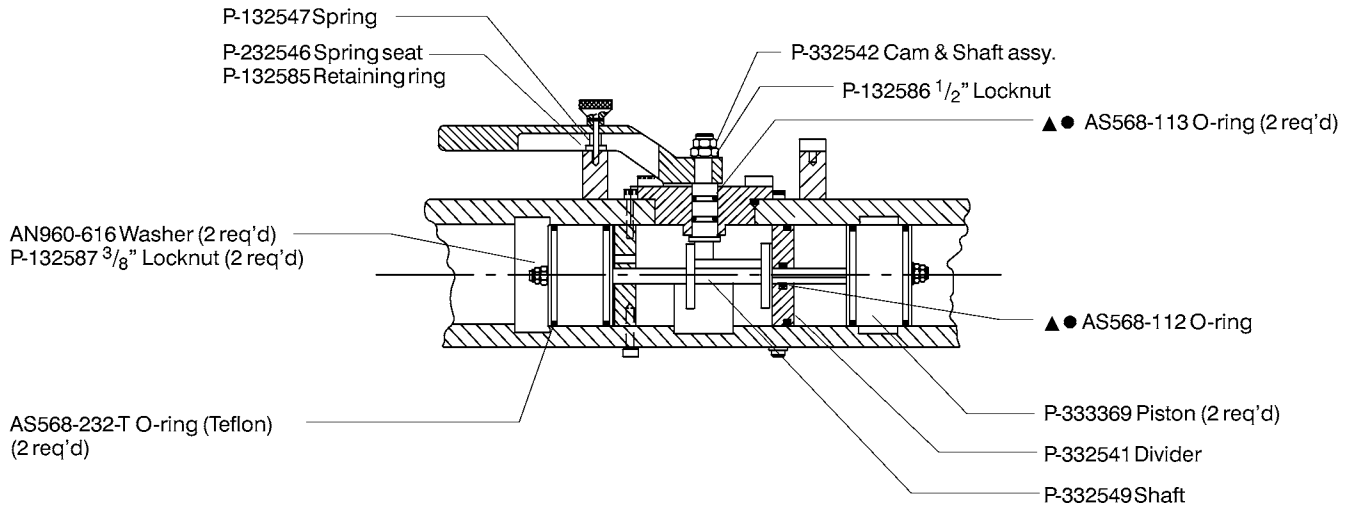
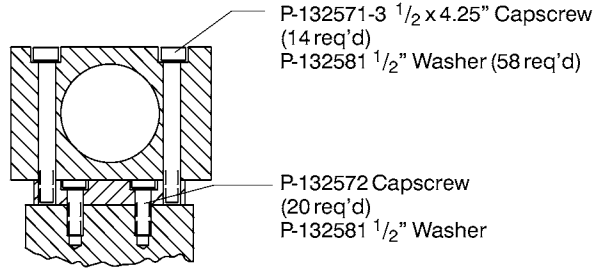
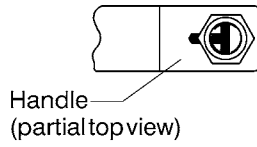


CAUTION

Before servicing the element, the bleed plug in filter housing must be loosened to relieve hydraulic pressure. This will minimize fluid overflow.



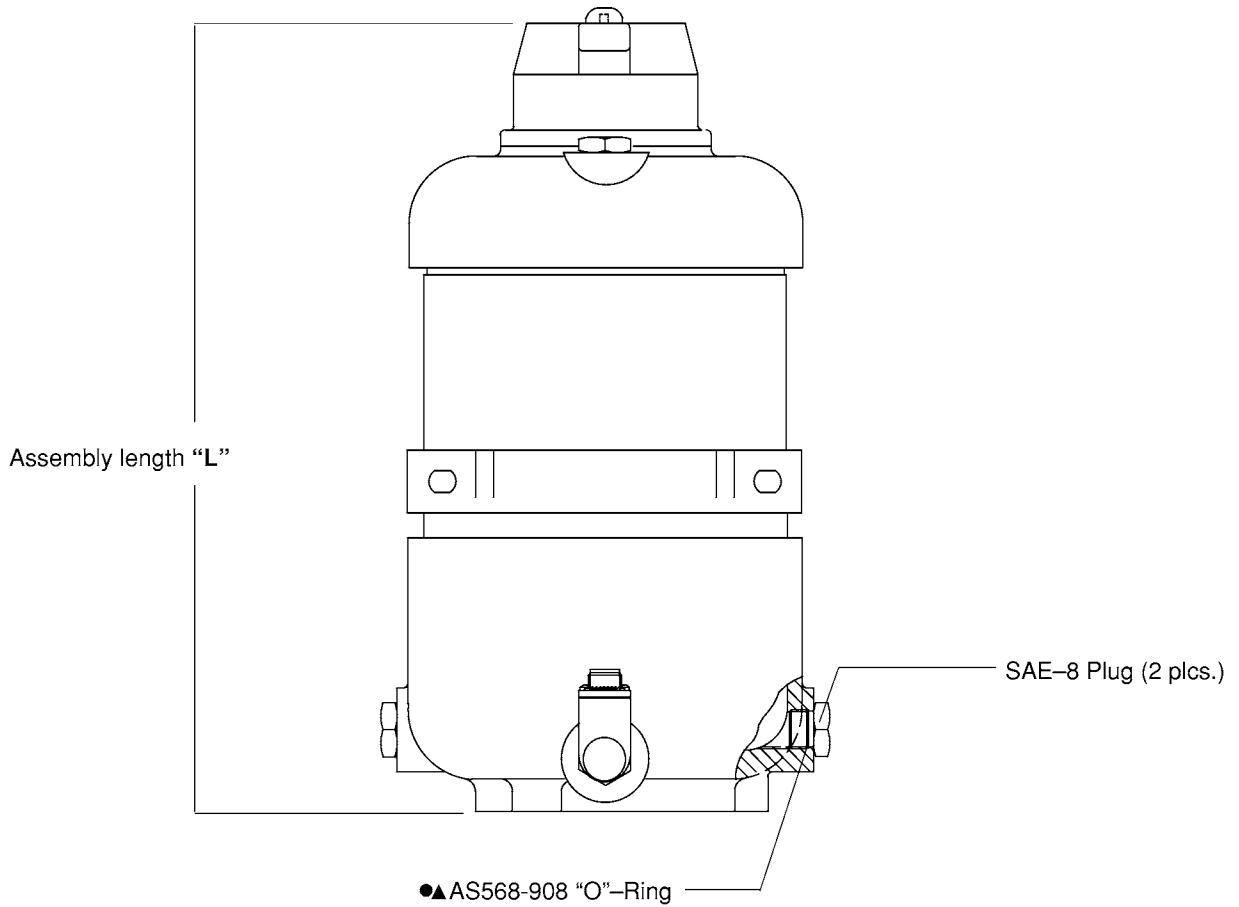
- Bowl kits contain (Bowl, "O" Ring, & Ring holder)
- ▲ Included in seal kit P-427486-40 Buna Included
 - in seal kit P-427486-42 Viton



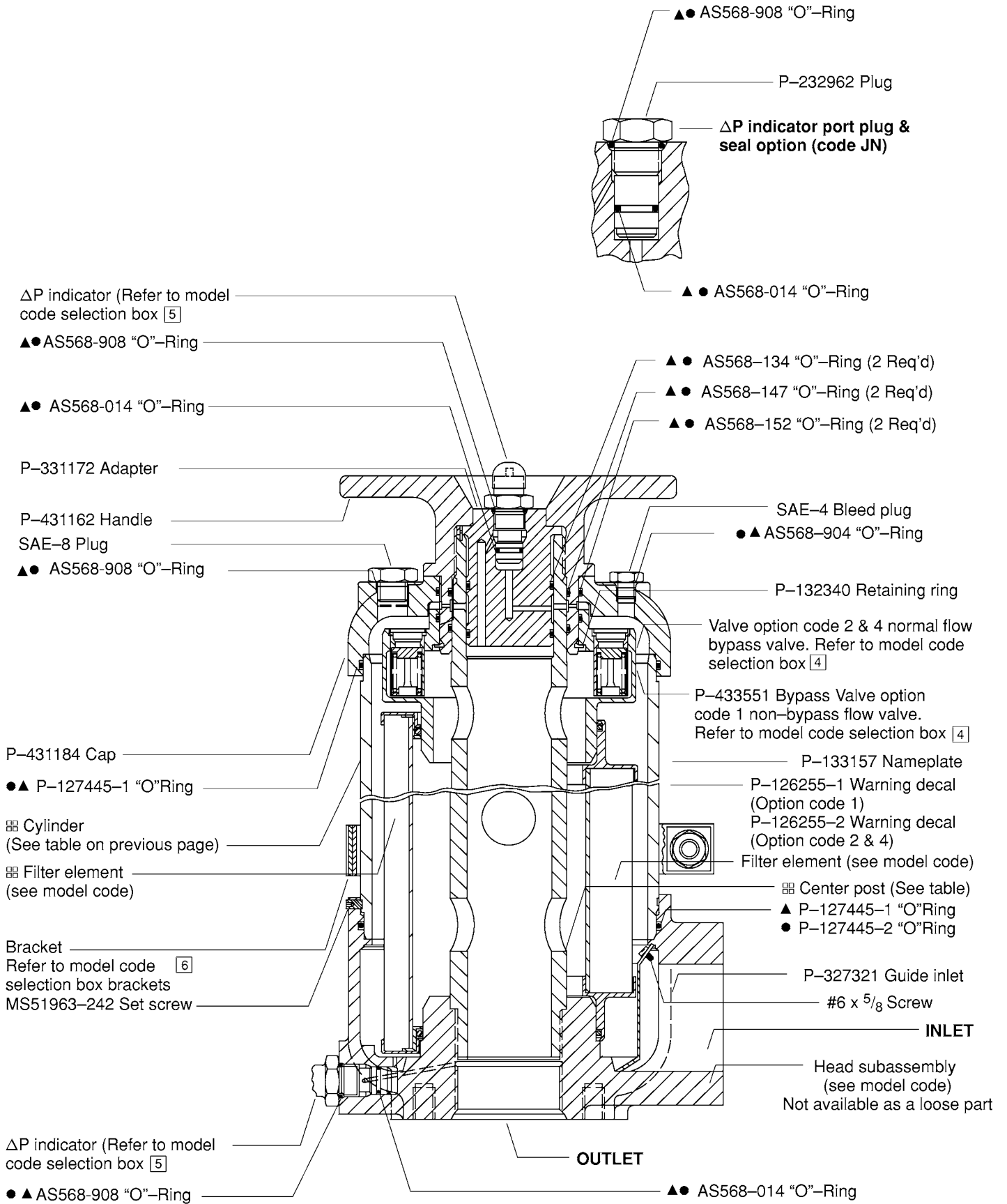
▲ Included in seal kit P-427466-40 Buna
● Included in seal kit P-427466-42 Viton

☒ Assembly length "L" code option (Refer to model code selection)

Model code	☒ Assy. length (mm) in.	☒ Cylinder	☒ Center post	# of clamp assy. req'd
2	(382.57) 15.062	P-331207-1	P-231261-1	1
5	(602.97) 23.739	P-331207-2	P-231261-2	2
8	(1157.30) 45.563	P-331207-3	P-231261-3	3

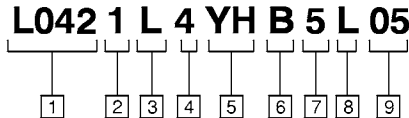


- ▲ Included in seal kit P-427466-19 Buna
 - Included in seal kit P-427466-21 Viton
- Bowl kits contain (Bowl, "O" Ring, & Ring holder.



- ▲ Included in seal kit P-427466-19 Buna (seal kit for 041 assembly)
- Included in seal kit P-427466-21 Viton

Housing Model Code



1 Filter series

L042

2 Element collapse rating

1 – 150 PSID

NOTE: E-pak & L-pak elements are rated at 100 PSID collapse. If used in a non-bypass housing, a monitored differential pressure indicator (70 PSID max.) should be used. (Indicator option A, B, I, U or V)

3 Port option

L – 3" SAE–J518 split flange Code 61

4 Valve option

1 – Non–bypass

2 – Bypass set at 22 ± 3 PSID cracking pressure.

4 – Bypass set at 50 ± 5 PSID cracking pressure.

NOTE: Do not use option 1 in systems with surge pressures over 120 PSID.

5 ΔP indicator & receptacle options First designator (Indicator type)

A – Visual ΔP indicator with 70 ± 7 PSID with surge control.

B – Electrical/visual ΔP indicator with 70 ± 7 PSID with surge control.

C – Electrical/visual ΔP 15 ± 4 PSID.

D – Electrical/visual ΔP 35 ± 5 PSID.

E – Electrical/visual ΔP 100 ± 12 PSID.

5 ΔP indicator, First designator (Indicator type) (con't.)

F – Electrical/visual ΔP 15 ± 4 PSID thermal lockout (100° F).

G – Electrical/visual ΔP 35 ± 5 PSID thermal lockout (100° F).

I – Visual ΔP indicator with 70 ± 7 PSID thermal lockout (100° F).

J – No ΔP indicator.

K – Visual ΔP indicator with 15 ± 4 PSID actuation & thermal lockout (100° F)

L – Visual ΔP indicator with 35 ± 5 PSID actuation & thermal lockout (100° F)

O – Visual ΔP indicator with 100 ± 12 PSID actuation & thermal lockout (100° F).

Q – Electrical ΔP switch with 15 ± 4 PSID actuation.

R – Electrical ΔP switch with 35 ± 5 PSID actuation.

T – Electrical ΔP switch with 100 ± 12 PSID actuation.

U – Electrical ΔP switch with 70 ± 7 PSID actuation.

V – Electrical/visual ΔP 70 ± 4 PSID thermal lockout (100° F).

W – Electrical/visual ΔP 100 ± 12 PSID thermal lockout (100° F).

X – Electrical/visual ΔP 15 ± 4 PSID thermal lockout (100° F) & surge control.

Y – Electrical/visual ΔP 35 ± 5 PSID thermal lockout (100° F) & surge control.

Z – Electrical/visual ΔP 100 ± 12 PSID thermal lockout (100° F) & surge control.

5 ΔP indicator, Second designator (Electrical receptacle style) (con't.)

B – 5 pin Brad Harrison (41512)

H – DIN 43650 or Hirschman receptacle (GSA plug) 3 poles plus ground.

N – No receptacle – Use with visual ΔP indicator.

6 Seal material

B – Buna–N

V – Viton–A

E – Ethylene Propylene

7 Bowl length mm (in)	Element code length mm (in)
------------------------------	------------------------------------

5 – 726 (28.6)	406,4 (16)
-----------------------	-------------------

8 – 1280 (50.4)	990,6 (39)
------------------------	-------------------

8 Element construction

C – C–pak (grade 3, 5, 10, 20)

E – E–pak (grade 1, 3, 5, 10)

L – L–pak (1, 3, 5, 10, 20)

9 Fluid cleanliness ratings

Code	Fluid cleanliness level
-------------	--------------------------------

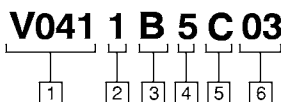
03	16/14/12 or better
-----------	---------------------------

05	18/16/14 or better
-----------	---------------------------

10	20/18/15 or better
-----------	---------------------------

20	22/19/16 or better
-----------	---------------------------

Element Model Code



1 Filter element

V041 – For use with L041 series filters

2 Element collapse rating

1 – 150 PSID

NOTE: 1 – use with bypass valve or monitored ΔP indicator

3 Seal material

B – Buna–N

V – Viton–A

4 Bowl length mm (in)	Element code length mm (in)
------------------------------	------------------------------------

5 – 574 (22.6)	406,4 (16)
-----------------------	-------------------

8 – 1303 (51.3)	990,6 (39)
------------------------	-------------------

5 Element construction

C – C–pak (3,5,10 & 20)

L – L–pak (grade 3, 5,10, 20)

E – E–pak (grade 1, 3, 5, 10)

6 Fluid cleanliness ratings

Code	Fluid cleanliness level
-------------	--------------------------------

03	16/14/12 or better
-----------	---------------------------

05	18/16/14 or better
-----------	---------------------------

10	20/18/15 or better
-----------	---------------------------

20	22/19/16 or better
-----------	---------------------------

The table above assumes limited ingress and a single pass of pump flow through the element. For more detailed information, please consult Vickers Guide to Systemic Contamination Control **561** or contact your local Vickers Distributor.