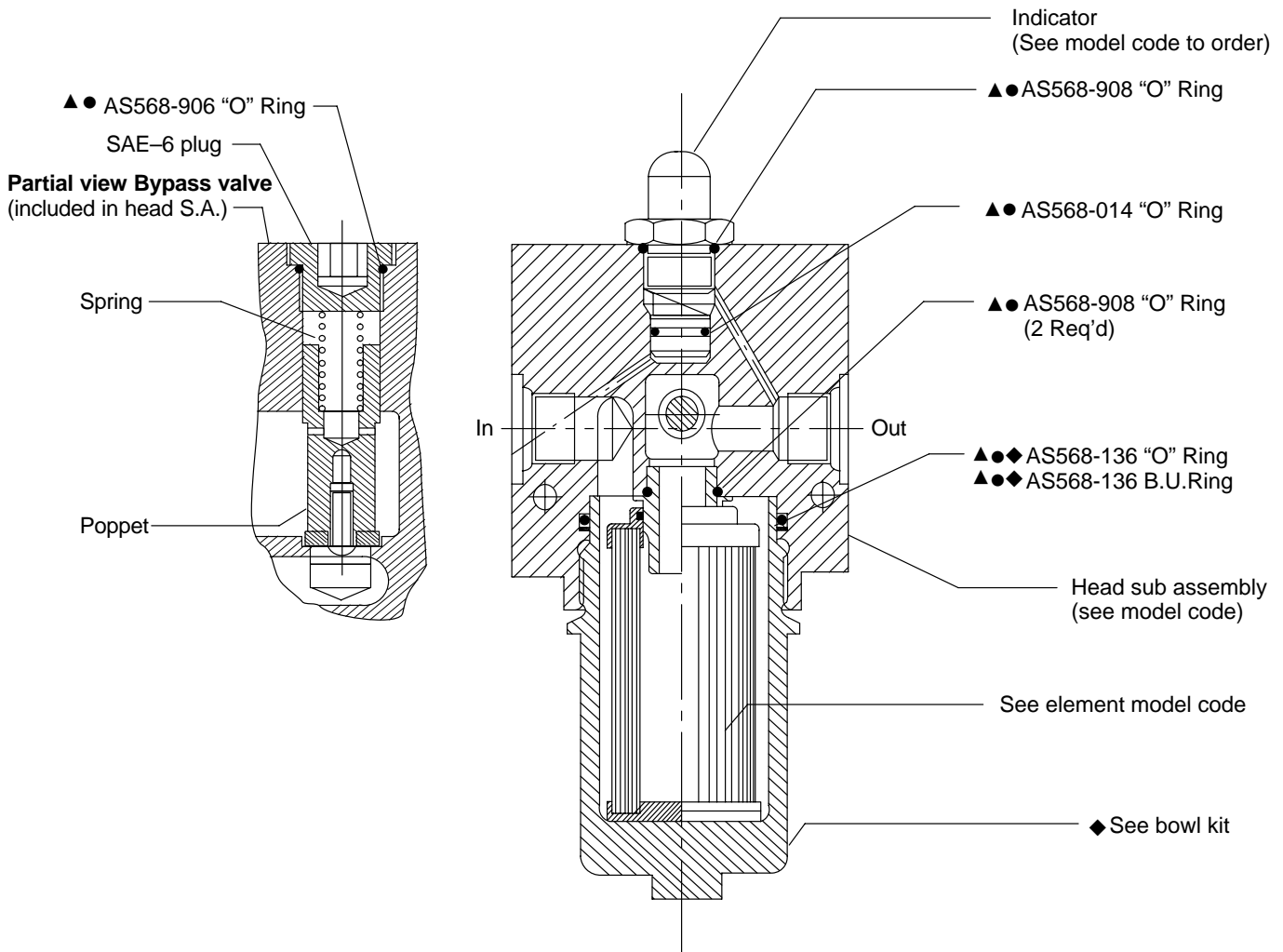


M331 Series High Performance Medium Pressure Filter Flows to 23 L/min 210 bar



NOTE: Bowl kits contain Buna-N seals, to order Viton seals, replace **B** in part number with a **V**.
 Example:
 From: P-133234-01**B**, for Buna.
 To: P-133234-01**V**, for Viton.

- ▲ Included in seal kit P-427466-28 Buna
- Included in seal kit P-427466-30 Viton
- ◆ Included in Bowl kit P-133234-01B

Head Sub Assembly Model Code

M331 * 0 * JN * S50

1 Filter series

M331

2 Element collapse rating

1 – 10 bar
5 – 310 bar (H-pak only)

3 Port option

0 – G 1/2" to ISO 228

4 Valve option

1 – Non-bypass
4 – Bypass set at $3,4 \pm 0,34$ bar cracking pressure

5 ΔP indicator & receptacle options First designator (Indicator type)

J – No ΔP indicator

Second designator (Electrical receptacle)

N – No receptacle – Use with visual ΔP indicator.

6 Seal material

B – Buna-N
V – Viton-A

7 S50 Head sub assembly

Element Model Code

V303 1 B C 05

1 Filter element

V303 – For use with M331 series filters

2 Element collapse rating

1 – 10 bar
5 – 310 bar (H-pak only)
NOTE: Use 1 only with bypass valve or monitored ΔP indicator

3 Seal material

B – Buna-N
V – Viton-A

4 Element construction

C – C-pak media (grade 3, 5, 10)
H – H-pak media (grade 3, 10)

5 Fluid cleanliness ratings

Code	Fluid cleanliness level
03	16/14/12 or better
05	18/16/14 or better
10	20/18/15 or better

The table above assumes limited ingress and a single pass of pump flow through the element. For more detailed information, please consult Vickers Guide to Systemic Contamination Control **561** or contact your local Vickers Distributor.

Differential Pressure Indicator Model Code

P * *** * * * (S) (M) 1 A

1 Style option

PV – Visual
PE – Electrical
PD – Electrical/Visual

2 Actuation pressure option

015 – $1 \pm 0,3$ bar
035 – $2,4 \pm 0,35$ bar
070 – $4,8 \pm 0,5$ bar
(not an option with 330/340 filters)
090 – $6,2 \pm 0,7$ bar
(330/340 filters only)
100 – $6,9 \pm 0,85$ bar

3 Thermal lockout option

N – No thermal lockout
T – Thermal lockout
standard TLO = $80 \pm 20^\circ \text{F}$ ($27 \pm 11^\circ \text{C}$)

4 Seal option

1 – Buna-N
2 – Viton

5 Receptacle option

B – 5-pin Brad Harrison (41512)
(not an option with visual indicator)
H – Hirschman (DIN 43650)
(not an option with visual indicator)
N – No receptacle (use with visual indicator)

6 Surge control option

None – No surge control
S – Surge control
(not an option with 330/340 filters)

7 Filter series option

None – Standard
M – 330/340 Series filters only

8 Revision level

1A – Original design series (1) and revision (A)