

M041 Series Low Pressure Filter

Flows to 1135 L/min

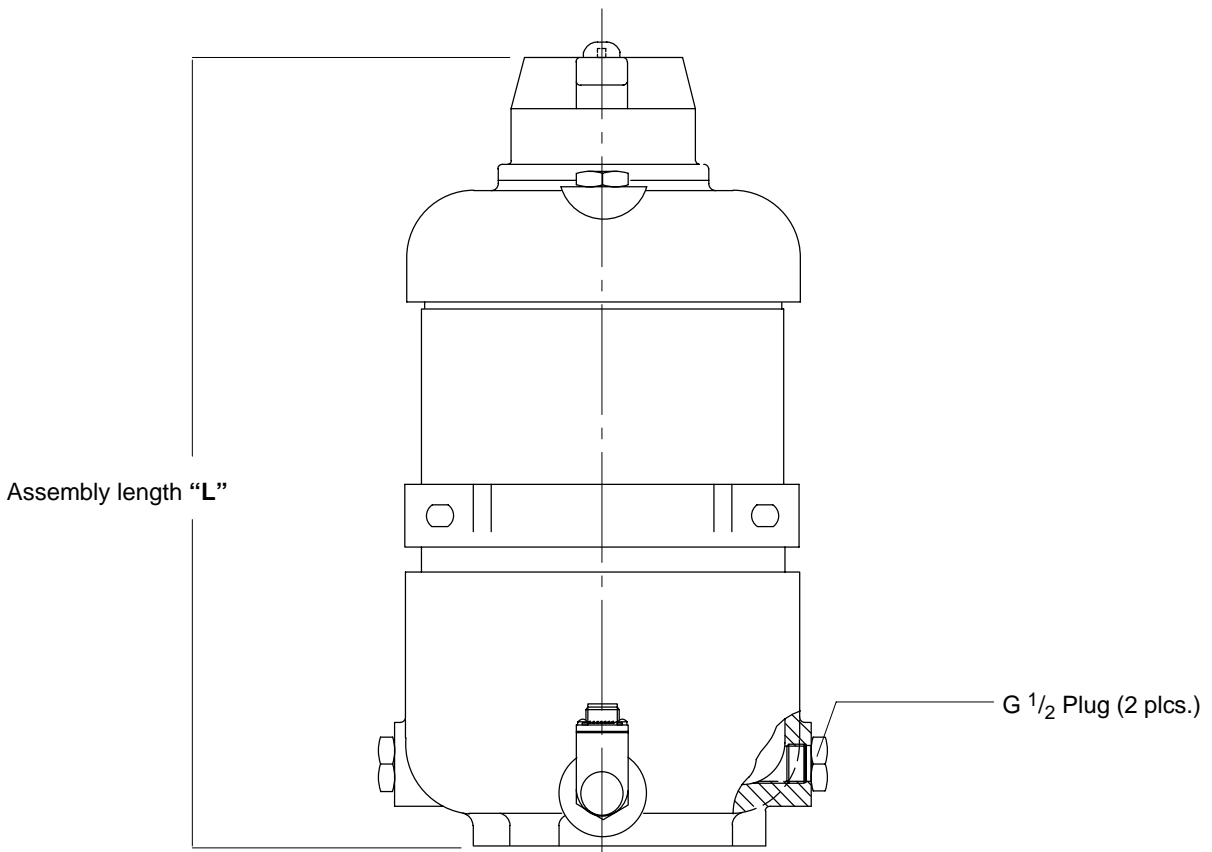


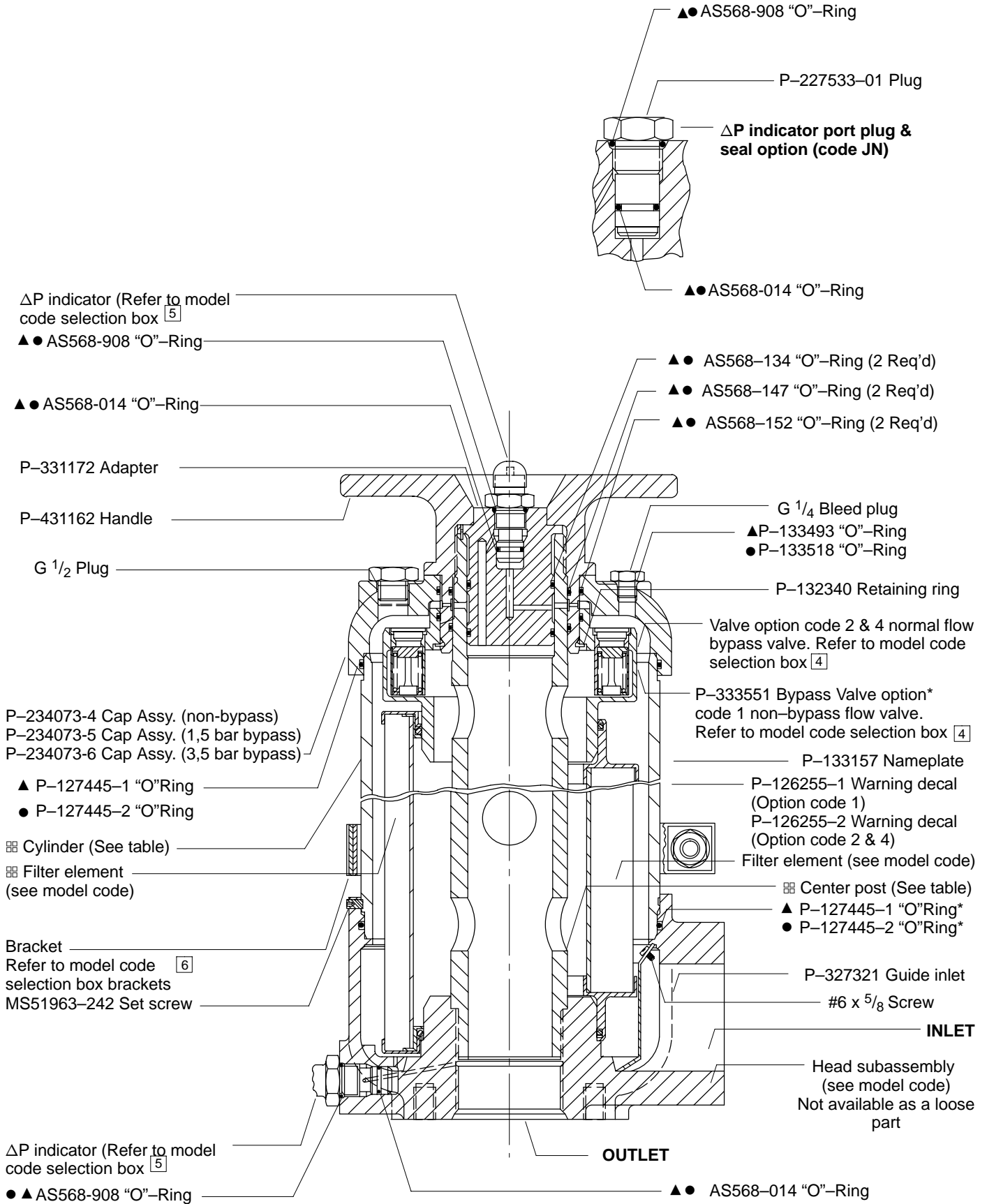
CAUTION

Before servicing the element, the bleed plug in filter housing must be loosened to relieve hydraulic pressure. This will minimize fluid overflow.

☐ Assembly length "L" code option (Refer to model code selection)

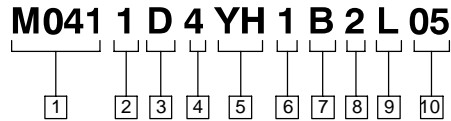
Model code	☐ Assy. length (mm)	☐ Cylinder (not servicable)	☐ Center post (not servicable)	# of clamp assy. req'd
2	(382.57)	P-331207-1	P-231261-1	1
5	(602.97)	P-331207-2	P-231261-2	2
8	(1157.30)	P-331207-3	P-231261-3	3





- ▲ Included in seal kit P-427466-19 Buna
- Included in seal kit P-427466-21 Viton
- * Non-servicable

Housing Model Code



1 Filter series
M041

2 Element collapse rating

1 - 10 bar
NOTE: E-Pak & L-Pak elements are rated at 7 bar collapse. If used in a Non-Bypass housing, a monitored differential pressure indicator (5 bar max.) should be used. (Indicator option A, B, I, U, or V)

3 Port options

D - G 1¹/₂" to ISO 228
J - 2" SAE-4-bolt split flange Code 61
K - 2¹/₂" SAE-4-bolt split flange Code 61

4 Valve options

1 - Non-Bypass
2 - Bypass set at 1,5 ± 0,21 bar cracking pressure
4 - Bypass set at 3,5 ± 0,35 bar cracking pressure

NOTE: Do not use option 1 in systems with surge pressures over 8,3 bar.

Valve options	ΔP indicator
Use with	↑
1 (Non-Bypass)	J,E,O,T,W or Z
2 (Bypass 22 PSID)	J,C,F,K,Q or X
4 (Bypass 50 PSID)	J,D,G,L,M,R or Y

5 ΔP indicator & receptacle options
First designator (Indicator type)

A- Visual ΔP indicator with 5 ± 0,50 bar with surge control
B- Electrical/visual ΔP indicator with 5 ± 0,50 bar with surge control
C - Electrical/visual ΔP 1 ± 0,3 bar

D - Electrical/visual ΔP 2,4 ± 0,34 bar

E - Electrical/visual ΔP 7 ± 0,85 bar

F - Electrical/visual ΔP 1 ± 0,3 bar thermal lockout (38°C)

G - Electrical/visual ΔP 2,5 ± 0,35 bar thermal lockout (38°C)

I - Visual ΔP indicator with 5 ± 0,48 bar thermal lockout (38°C)

J - No ΔP indicator

K - Visual ΔP indicator w/ 1 ± 0,3 bar actuation & thermal lockout (38°C)

L - Visual ΔP indicator w/ 2,55 ± 0,35 bar actuation & thermal lockout (38°C)

M - Visual ΔP indicator w/ 2,5 ± 0,35 bar, thermal lockout (38°C) and surge control

O - Visual ΔP indicator w/7 ± 0,85 bar actuation & thermal lockout (38°C)

Q - Electrical ΔP switch w/1 ± 0,3 bar actuation

R - Electrical ΔP switch w/ 2,5 ± 0,35 bar actuation

T - Electrical ΔP switch w/7 ± 0,85 bar actuation

U - Electrical ΔP switch with 5 ± 0,48 bar actuation

V - Electrical/visual ΔP indicator with 5 ± 0,48 bar thermal lockout (38°C)

W- Electrical/visual ΔP 7 ± 0,85 bar thermal lockout (38°C)

X- Electrical/visual ΔP 1 ± 0,3 bar thermal lockout (38°C) & surge control

Y - Electrical/visual ΔP 2,5 ± 0,35 bar thermal lockout (38°C) & surge control

Z - Electrical/visual ΔP 7 ± 0,85 bar thermal lockout (38°C) & surge control

Second designator (Electrical receptacle)

B - 5 pin Brad Harrison (41512)

H - DIN 43650/ Hirschman receptacle (GSA plug) 3 poles plus ground

N - No receptacle – Use with visual ΔP indicator only

NOTE: Order P-227533-01 for replacement aluminum indicator port plug.

6 Brackets

1 - No bracket
(Order #P-226230-01)

7 Seal material

B - Buna-N

V - Viton-A

Viton is a registered trademark of E.I. DuPont

8 Assy. length mm (inch)	Element length mm (inch)
2 - 384	203,2
5 - 602	406,4
8 - 1158	990,6

9 Element construction

C - C-Pak (grade 3, 5, 10, 20)

E - E-Pak (grade 1, 3, 5, 10)
(permanent core tube installed in housing)

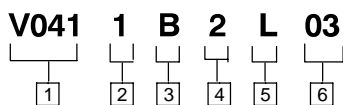
L - L-Pak (grade 1, 3, 5, 10, 20)

10 Fluid cleanliness ratings

Code	Target fluid cleanliness level
01	Flushing only
03	16/14/12 or better
05	18/16/14 or better
10	20/18/15 or better
20	22/19/16 or better

This table assumes limited ingress/ single pass of pump flow through the element. For detailed assistance, consult Vickers Guide to Systemic Contamination Control or contact your local Vickers Distributor.

Element Model Code



1 Filter element

V041 - For use with L041 and L042 series housings

2 Element collapse rating

1 - 10 bar (C-Pak)
NOTE: E-Pak & L-Pak elements are rated at 7 bar collapse. If used in a Non-Bypass housing, a monitored differential pressure indicator (5 bar max.) should be used. (Indicator option A, B, I, U, or V)

3 Seal material

B - Buna-N

V - Viton-A

Viton is a registered trademark of E.I. DuPont

4 Bowl length **Element length**

mm (inch)	mm (inch)
2 - 384 (15.1)	203 (8)
5 - 602 (23.7)	406 (16)
8 - 1158 (45.6)	990 (39)

5 Element construction

C - C-Pak (grade 3, 5, 10, 20)

E - E-Pak (1, 3, 5, 10)

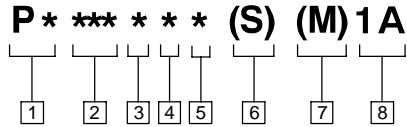
L - L-Pak (grade 1, 3, 5, 10, 20)

6 Fluid cleanliness ratings

Code	Target fluid cleanliness level
01	Flushing only
03	16/14/12 or better
05	18/16/14 or better
10	20/18/15 or better
20	22/19/16 or better

This table assumes limited ingress/ single pass of pump flow through the element. For detailed assistance, consult Vickers Guide to Systemic Contamination Control or contact your local Vickers Distributor.

Differential Pressure Indicator Model Code



1 Style option

PV – Visual
PE – Electrical
PD – Electrical/Visual

2 Actuation pressure option

015 – $1 \pm 0,3$ bar
035 – $2,4 \pm 0,35$ bar
070 – $4,8 \pm 0,5$ bar
(not an option with 330/340 filters)
090 – $6,2 \pm 0,7$ bar
(330/340 filters only)
100 – $6,9 \pm 0,85$ bar

3 Thermal lockout option

N – No thermal lockout
T – Thermal lockout
standard TLO= $80 \pm 20^\circ$ F
($27 \pm 11^\circ$ C)

4 Seal option

1 – Buna-N
2 – Viton

5 Receptacle option

B – 5-pin Brad Harrison (41512)
(not an option with visual indicator)
H – Hirschman (DIN 43650)
(not an option with visual indicator)
N – No receptacle (use with visual indicator)

6 Surge control option

None – No surge control
S – Surge control
(not an option with 330/340 filters)

7 Filter series option

None – Standard
M – 330/340 Filters only

8 Revision level

1A – Original design series (1) and
revision (A)