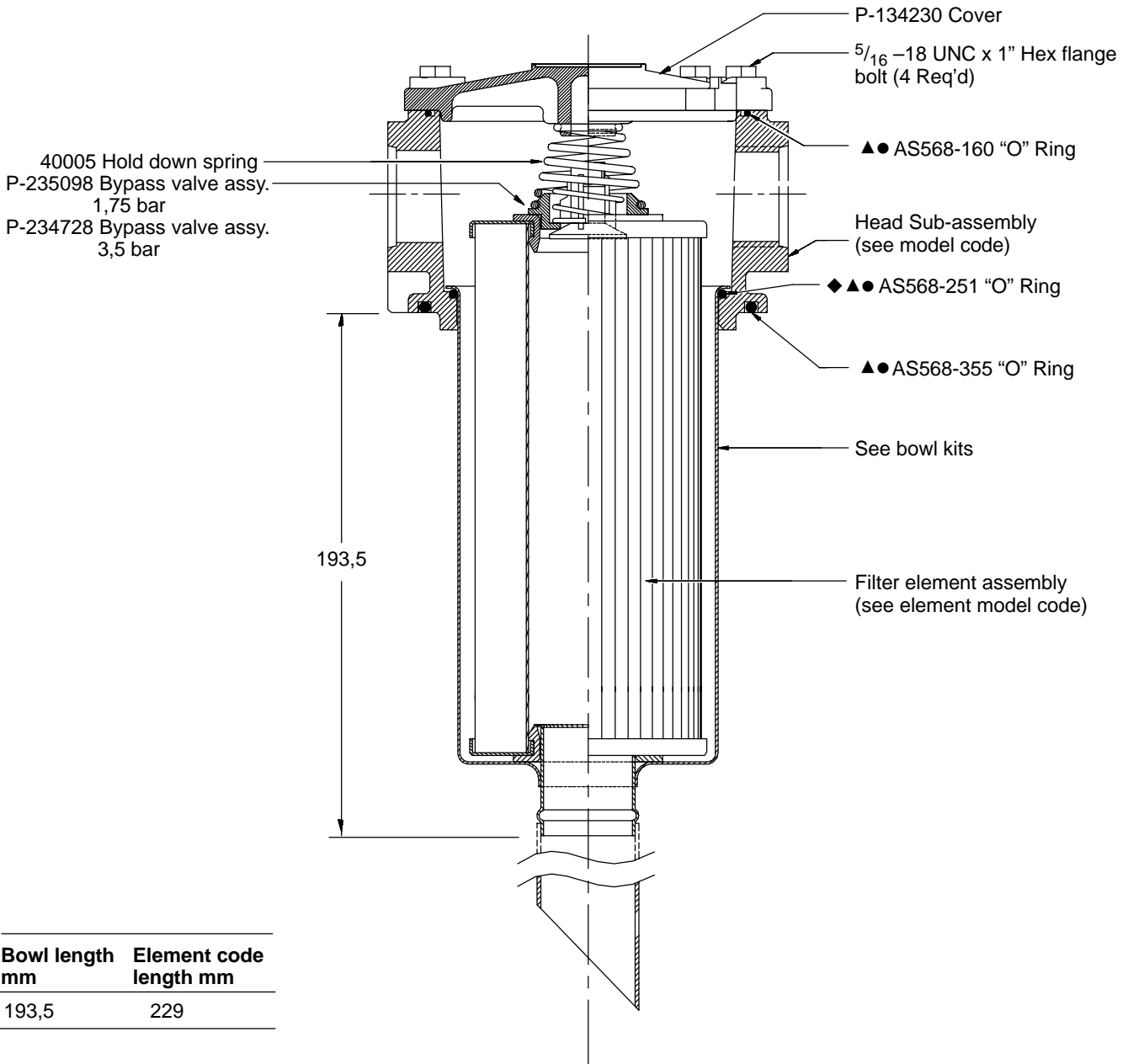


# Vickers®

## Filters

### Service Data

## High Performance/Low Pressure Filter Flows to 189 L/min ML15 Series



| Bowl length<br>mm | Element code<br>length mm |
|-------------------|---------------------------|
| 193,5             | 229                       |

NOTE: Bowl kits contain Buna-N seals, to order Viton seals, replace **B** in partnumber with a **V**.

Example:

From: P-234930-01**B**, for Buna.

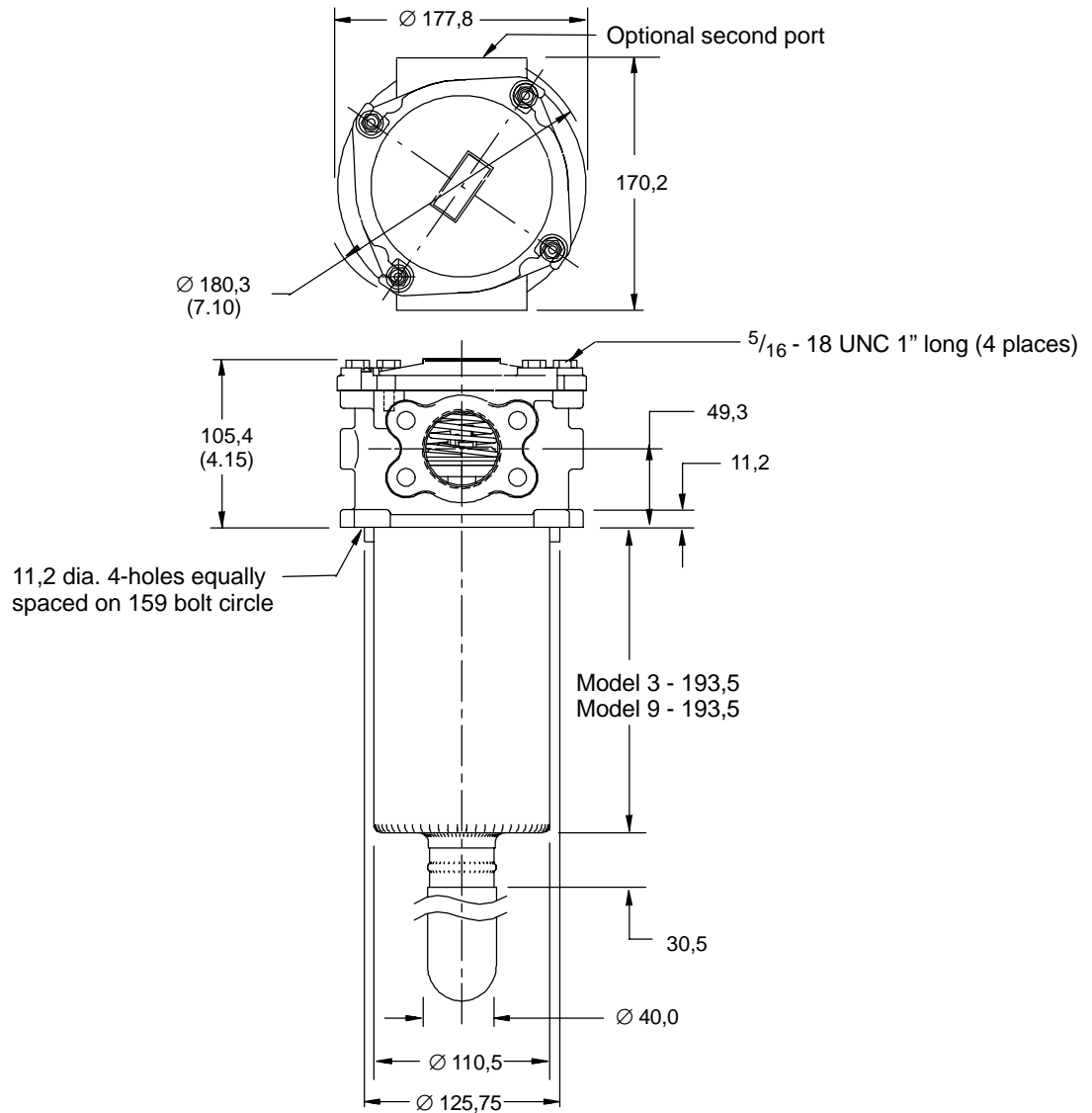
To: P-234930-01**V**, for Viton.

- ▲ Included in seal kit P-233055-01 Buna
- Included in seal kit P-233055-03 Viton
- ◆ Included in Bowl kit P-234930

Bowl kits contain (Bowl, "O" Ring)

# ML15 Housing Dimensions

mm



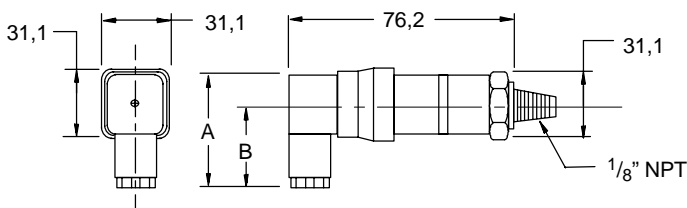
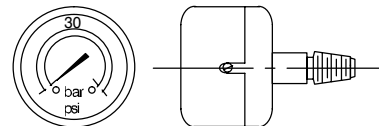
## Accessories

### Electrical Switch

|                              |             |
|------------------------------|-------------|
| Switch 1,2 bar Brad Harrison | P-234117-01 |
| Switch 2,4 bar Brad Harrison | P-234118-01 |
| Switch 1,2 bar DIN           | P-233051-01 |
| Switch 2,4 bar DIN           | P-233573-01 |

### Gauge

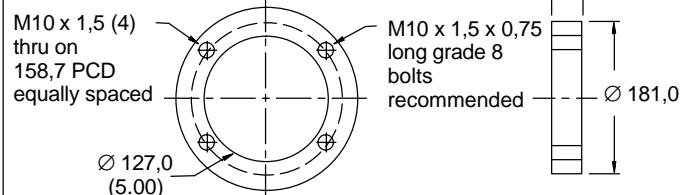
|      |             |                     |
|------|-------------|---------------------|
| ML15 | P-232965-01 | 0-4 bar color coded |
|      | P-232974-01 | 0-14 bar            |



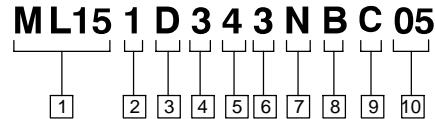
| Connector     | A    | B    |
|---------------|------|------|
| DIN 43650     | 48,2 | 34,9 |
| Brad Harrison | 59,2 | 45,7 |

### Weld Flange

ML15 P-234379-01



# Head Sub-assembly Model Code



**1 Filter series**

**ML15**

**2 Element collapse rating**

**1** – 10 bar

**3 Port option**

**C** – G 1<sup>1</sup>/<sub>4</sub>" to ISO 228  
**E** – 1<sup>1</sup>/<sub>2</sub>" SAE-J518 4-bolt split flange Code 61 with M12

**4 Valve bypass setting option**

**3** – Bypass set at 1.75 ± 0.21 bar cracking pressure.  
**4** – Bypass set at 3.5 ± 0.35 bar cracking pressure.

**Indicator Selection Guide**

| Bypass   | Indicator  |
|----------|------------|
| <b>3</b> | 1, 4, 6, 8 |
| <b>4</b> | 1, 2, 7, 9 |

**5 Indicator type**

**1** – No indicator, pipe plug installed  
**2** – 0 to 14 bar press. gage  
**4** – 0 to 4,14 bar pressure gage  
**6** – Electrical switch 1,2 bar Brad Harrison  
**7** – Electrical switch 2,4 bar Brad Harrison  
**8** – Electrical switch 1,2 bar DIN 43650  
**9** – Electrical switch 2,4 bar DIN 43650

| 6 Bowl length mm (in) | Element code length mm (in) |
|-----------------------|-----------------------------|
|-----------------------|-----------------------------|

|   |            |
|---|------------|
| <b>3</b> – 193,5 (7.62)   | 229, (9.0) |
| <b>9</b> – 193,5 (7.62) with 305 (12) extension tube                | 229, (9.0) |
| <b>S50</b> – Head sub-assembly only (no element, bowl or indicator) |            |

**7 Secondary port option**

**C** – G 1<sup>1</sup>/<sub>4</sub>" to ISO 228  
**Z** – 1<sup>1</sup>/<sub>2</sub>" SAE 4-bolt split flange Code 61  
**N** – No secondary port.

**8 Seal material**

**B** – Buna-N  
**V** – Viton-A

**9 Element construction**

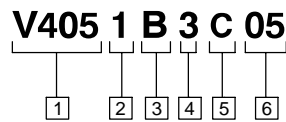
**C** – C-pak (1,3,5,10 & 20 grade)

**10 Fluid cleanliness ratings**

| Code      | Fluid cleanliness level | Element construction |
|-----------|-------------------------|----------------------|
| <b>03</b> | 16/14/12 or better      | C-pak                |
| <b>05</b> | 18/16/14 or better      | C-pak                |
| <b>10</b> | 20/18/15 or better      | C-pak                |
| <b>20</b> | 22/19/16 or better      | C-pak                |

This table assumes limited ingress/single pass of pump flow through the element. For detailed assistance, consult Vickers Guide to Systemic Contamination Control or contact you local Vickers Distributor.

# Element Model Code



**1 Filter element**

**V405** – For use with ML15 series filters

**2 Element collapse rating**

**1** – 10 bar

**3 Seal material**

**B** – Buna-N  
**V** – Viton-A

| 4 Bowl length mm (in) | Element code length mm (in) |
|-----------------------|-----------------------------|
|-----------------------|-----------------------------|

|                  |       |
|------------------|-------|
| <b>3</b> – 193,5 | 229,0 |
|------------------|-------|

**5 Element construction**

**C** – C-pak (1,3,5,10 & 20 grade)

**6 Fluid cleanliness ratings**

| Code      | Target fluid cleanliness level |
|-----------|--------------------------------|
| <b>03</b> | 16/14/12 or better             |
| <b>05</b> | 18/16/14 or better             |
| <b>10</b> | 20/18/15 or better             |
| <b>20</b> | 22/19/16 or better             |

This table assumes limited ingress/single pass of pump flow through the element. For detailed assistance, consult Vickers Guide to Systemic Contamination Control or contact you local Vickers Distributor.

**Element Dimensions mm**

