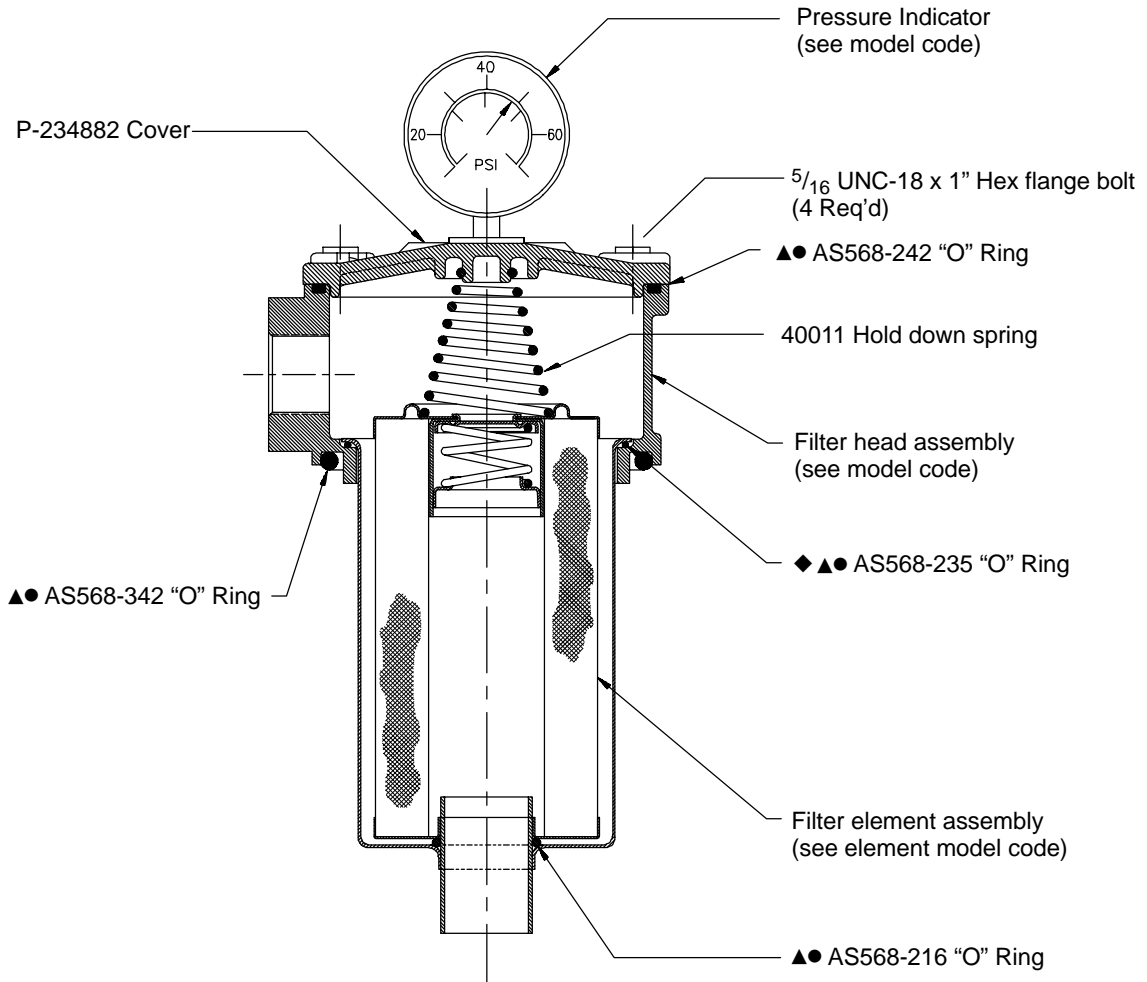


Service Data

High Performance/Low Pressure Filter Flows to 76 L/min MT15 Series



Bowl length mm	Element code length mm
121	130

NOTE: Bowl kits contain Buna-N seals, to order Viton seals, replace **B** in partnumber with a **V**.

Example:

From: P-234938-01**B**, for Buna.

To: P-234938-01**V**, for Viton.

▲ Included in seal kit P-233054-01 Buna

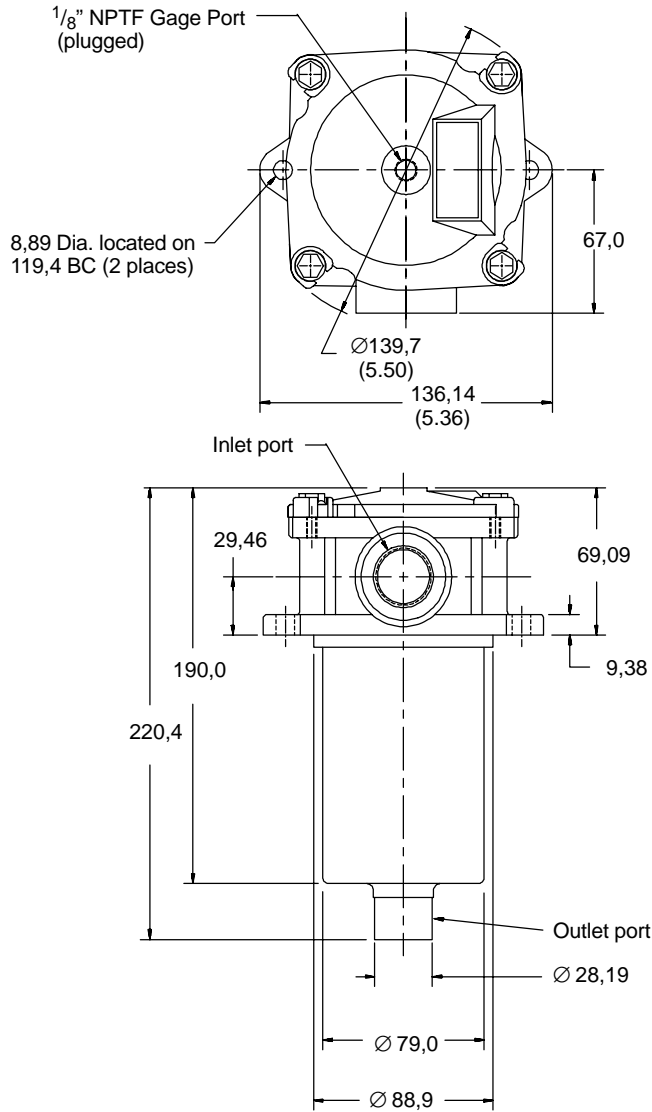
● Included in seal kit P-233054-03 Viton

◆ Included in Bowl kit P-234938

Bowl kits contain (Bowl, "O" Ring)

MT15 Housing Dimensions

mm



Accessories

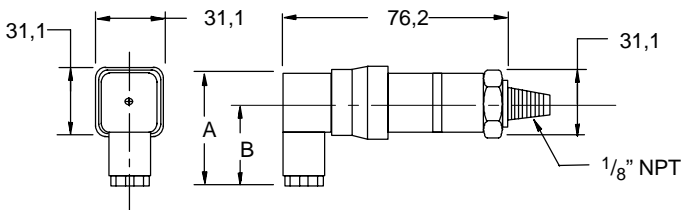
Electrical Switch

Switch 1,2 bar Brad Harrison
Switch 1,2 bar DIN

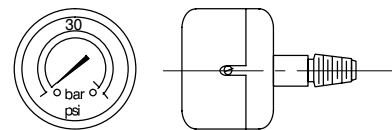
P-234117-01
P-233051-01

Gauge

MT15 P-232965-01 0-4,1 bar color code

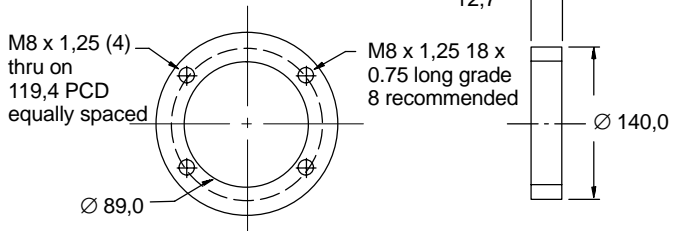


Connector	A	B
DIN 43650	48,2	34,9
Brad Harrison	59,2	45,7

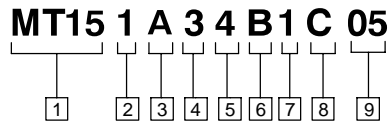


Weld Flange

MT15 P-334773



Head Sub-assembly Model Code



1 Filter series

MT15

2 Element collapse rating

1 – 10 bar

3 Port option

A – G 3/4" to ISO 228

4 Valve bypass setting option

3 – Bypass set at 1.75 ± 0.21 bar .
(Integral with element)

5 Indicator type

1 – No indicator, pipe plug installed
4 – 0 to 4 bar pressure gage
6 – Electrical switch 1,2 bar
 Brad Harrison
8 – Electrical switch 1,2 bar DIN 43650

6 Seal material

B – Buna–N
V – Viton–A

7 Bowl length mm

1 – 121
 S50 - Head subassembly only (no element, bowl or indicator)

Element code length mm

130

8 Element construction

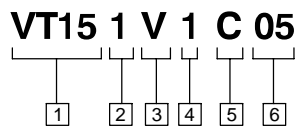
C – C–pak (3,5,10 & 20 grade)

9 Fluid cleanliness ratings

Code	Fluid cleanliness level	Element construction
03	16/14/12 or better	C–pak
05	18/16/14 or better	C–pak
10	20/18/15 or better	C–pak
20	22/19/16 or better	C–pak

The table above assumes limited ingress and a single pass of pump flow through the element. For more detailed information, please consult Vickers Guide to Systemic Contamination Control or contact your local Vickers Distributor.

Element Model Code



1 Filter element

VT15 – For use with MT15 series filters

2 Element collapse rating

1 – 10 bar

3 Seal material

V – Viton–A

5 Element construction

C – C–pak (3,5,10 & 20 grade)

6 Fluid cleanliness ratings

Code	Target fluid cleanliness level
03	16/14/12 or better
05	18/16/14 or better
10	20/18/15 or better
20	22/19/16 or better

The table above assumes limited ingress and a single pass of pump flow through the element. For more detailed information, please consult Vickers Guide to Systemic Contamination Control or contact your local Vickers Distributor.

Element Dimensions mm

