

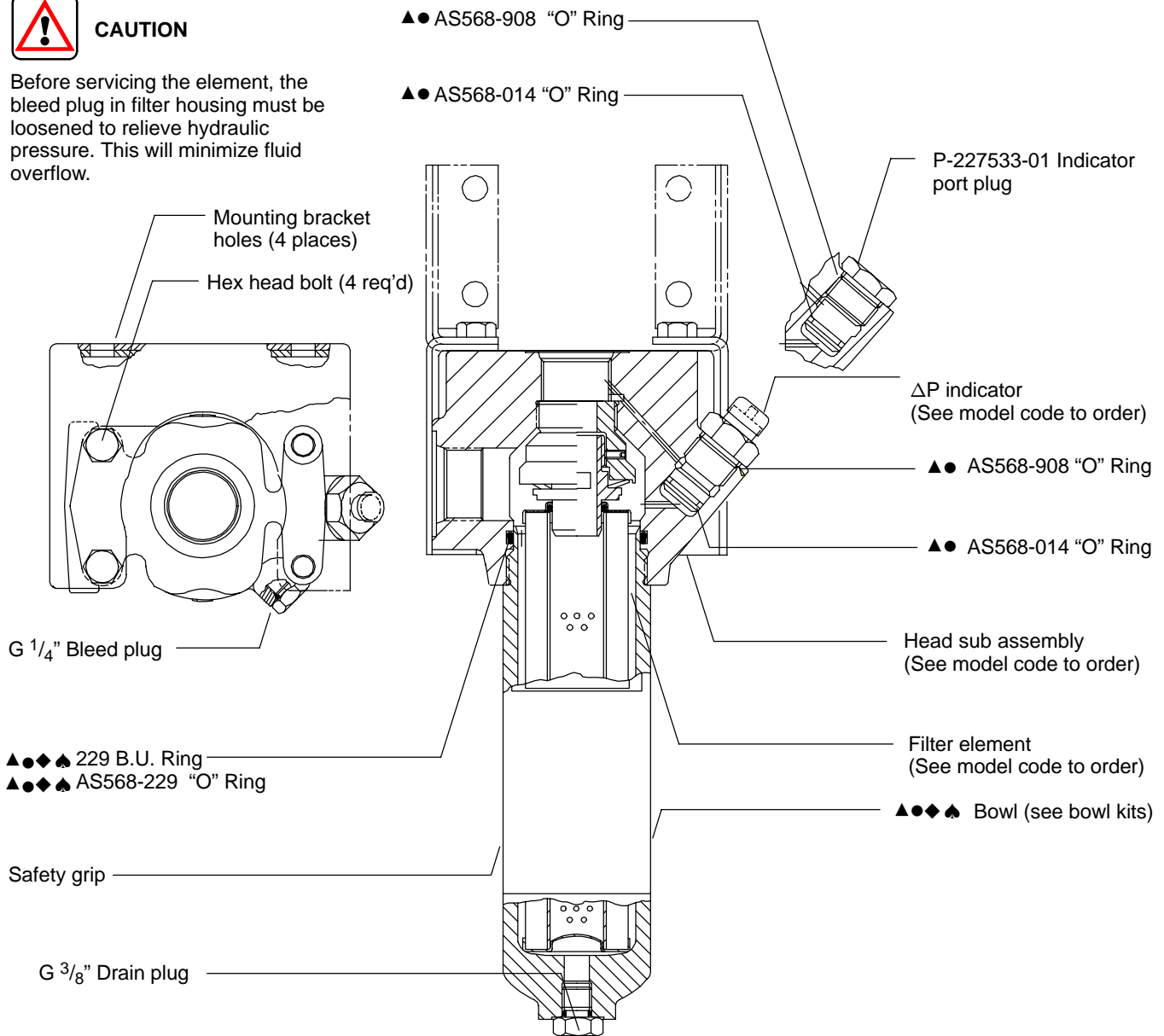
### M610 Series High Performance High Pressure Filter

Flows to 208 L/min 414 bar



#### CAUTION

Before servicing the element, the bleed plug in filter housing must be loosened to relieve hydraulic pressure. This will minimize fluid overflow.

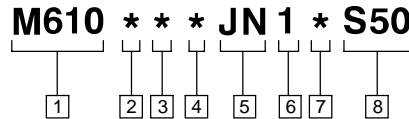


NOTE: Bowl kits contain Buna-N seals, to order Viton seals, replace **B** in part number with a **V**.  
 Example:  
 From: P-133238-01**B**, for Buna.  
 To: P-133238-01**V**, for Viton.

- ▲ Included in seal kit P-427466-04 Buna
- Included in seal kit P-427466-06 Viton
- ◆ Included in 4" Bowl kit P-133238-01B
- ◆ Included in 8" Bowl kit P-133238-02B

Bowl kits contain (Bowl, "O" Ring, & Ring holder).

# Head Sub Assembly Model Code



**1 Filter series**

**M610**

**2 Element collapse rating**

1 – 10 bar  
4 – 210 bar (H-pak only)

**3 Port option**

B – G 1 to ISO 228  
S – Subplate mounting

**4 Valve option**

1 – Non-bypass  
4 – Bypass set at  $3,5 \pm 0,35$  bar cracking pressure  
6 – Bypass set at  $6 \pm 0,7$  bar cracking pressure

**5  $\Delta$ P indicator & receptacle options**  
First designator (Indicator type)

J – No  $\Delta$ P indicator.

Second designator (Electrical receptacle)

N – No receptacle – Use with visual  $\Delta$ P indicator.

**6 Brackets (P-426225-01)**

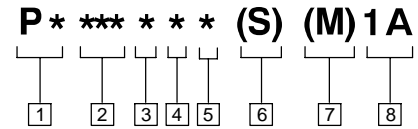
1 – No bracket

**7 Seal material**

B – Buna-N  
V – Viton-A

**8 S50 Head sub assembly**

# Differential Pressure Indicator Model Code



**1 Style option**

PV – Visual  
PE – Electrical  
PD – Electrical/Visual

**2 Actuation pressure option**

015 –  $15 \pm 4$  PSID ( $1 \pm 0,3$  bar)  
035 –  $35 \pm 5$  PSID ( $2,4 \pm 0,35$  bar)  
070 –  $70 \pm 7$  PSID ( $4,8 \pm 0,5$  bar) (not an option with 330/340 filters)  
090 –  $90 \pm 10$  PSID ( $6,2 \pm 0,7$  bar) (330/340 filters only)  
100 –  $100 \pm 12$  PSID ( $6,9 \pm 0,85$  bar)

**3 Thermal lockout option**

N – No thermal lockout  
T – Thermal lockout  
standard TLO= $80 \pm 20^\circ$  F ( $27 \pm 11^\circ$  C)

**4 Seal option**

1 – Buna-N  
2 – Viton

**5 Receptacle option**

B – 5-pin Brad Harrison (41512) (not an option with visual indicator)  
H – Hirschman (DIN 43650) (not an option with visual indicator)  
N – No receptacle (use with visual indicator)

**6 Surge control option**

None – No surge control  
S – Surge control (not an option with 330/340 filters)

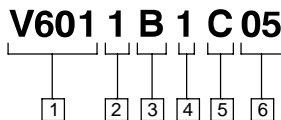
**7 Filter series option**

None – Standard  
M – 330/340 Series filters only

**8 Revision level**

1A – Original design series (1) and revision (A)

# Element Model Code



**1 Filter element**

**V601** - For use with 610 & 360 series filters

**2 Element collapse rating**

1 – 10 bar  
4 – 210 bar (H-pak only)  
NOTE: 1 use only with bypass valve

**3 Seal material**

B – Buna-N  
V – Viton-A

**4 Bowl length mm      Element length mm**

1 – 165                      102  
2 – 259                      203

**5 Element construction**

C – C-pak (grade 3, 5, 10)  
H – H-pak (grade 3, 10)

**6 Fluid cleanliness ratings**

Code	Fluid cleanliness level
03	16/14/12 or better
05	18/16/14 or better
10	20/18/15 or better

The table above assumes limited ingress and a single pass of pump flow through the element. For more detailed information, please consult Vickers Guide to Systemic Contamination Control or contact your local Vickers Distributor.

**Element Dimensions mm (in.)**

