

### M620 Series High Performance Pressure Filter

Flows to 568 L/min 414 bar



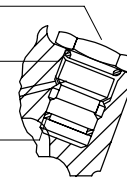
**CAUTION**

Before servicing the element, the bleed plug in filter housing must be loosened to relieve hydraulic pressure. This will minimize fluid overflow.

P-227533-01 Indicator port plug

▲● AS568-908 "O"-Ring

▲● AS568-014 "O"-Ring



**Note/Warning Valve options 1 & 8 :**

To prevent high pressure losses and defective operation, change filter element at specified intervals (max. six months) or on visual or electrical indication whichever is applicable.

**Note/Warning Valve options 4, 6 & 9 :**

To prevent filter bypass, change the filter element on visual or electrical indication or at specified intervals (max. six months) whichever is applicable.

G 1/4" Bleed plug

Head sub assembly

Out

ΔP Indicator  
(See model code)

In

▲● AS568-908 "O"-Ring

▲● AS568-014 "O"-Ring

▲◆◆★☒ 239 Backup ring

▲◆◆★☒ AS568-239 "O"-Ring

**Valve Option Code 8**

Reverse flow valve without bypass

4-Bolts req'd

Filter element  
(See model code)

P-426218-01 Bracket

See bowl kits

NOTE: Bowl kits contain Buna-N seals, to order Viton seals, replace **B** in part number with a **V**.

Example:

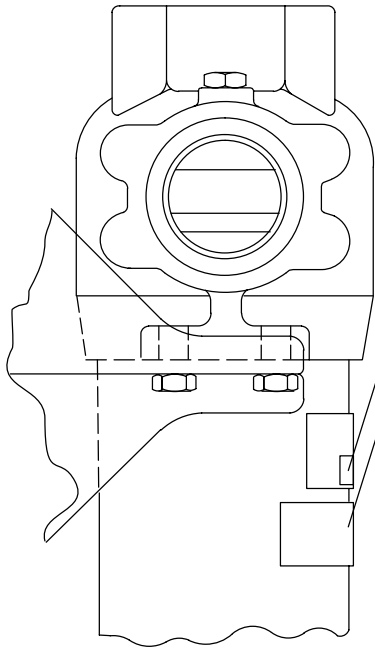
From: P-133239-01**B**, for Buna.

To: P-133239-01**V**, for Viton.

Safety grip

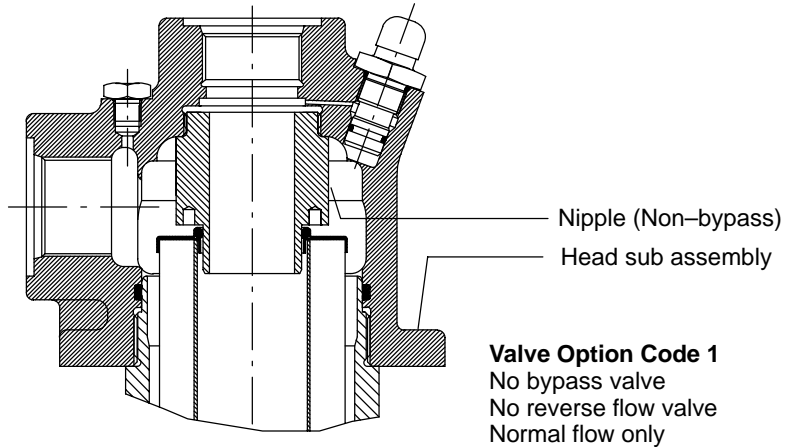
G 3/8" Drain plug

- ▲ Included in seal kit P-427466-10 Buna
- Included in seal kit P-427466-12 Viton
- ◆ Included in length 1 Bowl kit P-133239-01B
- ★ Included in length 2 Bowl kit P-133239-02B
- ☒ Included in length 4 Bowl kit P-133239-04B
- ☒ Included in length 5 Bowl kit P-133239-05B



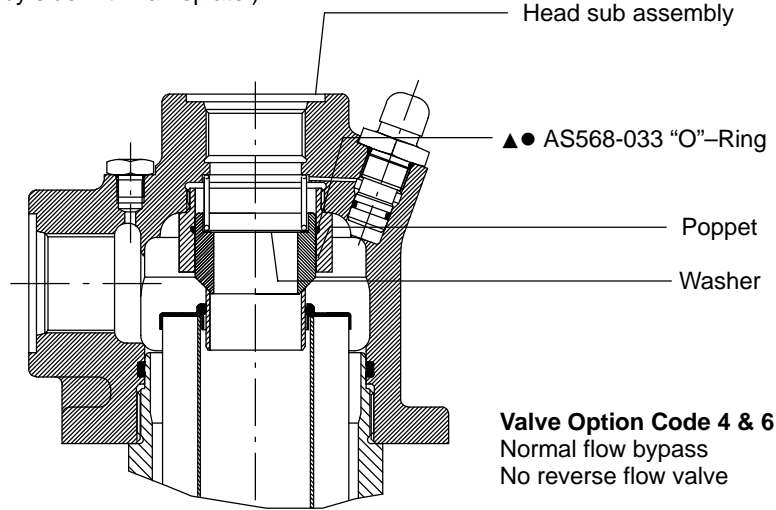
P-133157 Nameplate

P-126255-01 Warning decal (use with valve option codes 4, 6 and 9 only).  
 P-126255-02 Warning decal (use with valve option codes 1 and 8 only).  
 (For short bowls attach warning decal side by side with nameplate.)



Nipple (Non-bypass)  
 Head sub assembly

**Valve Option Code 1**  
 No bypass valve  
 No reverse flow valve  
 Normal flow only

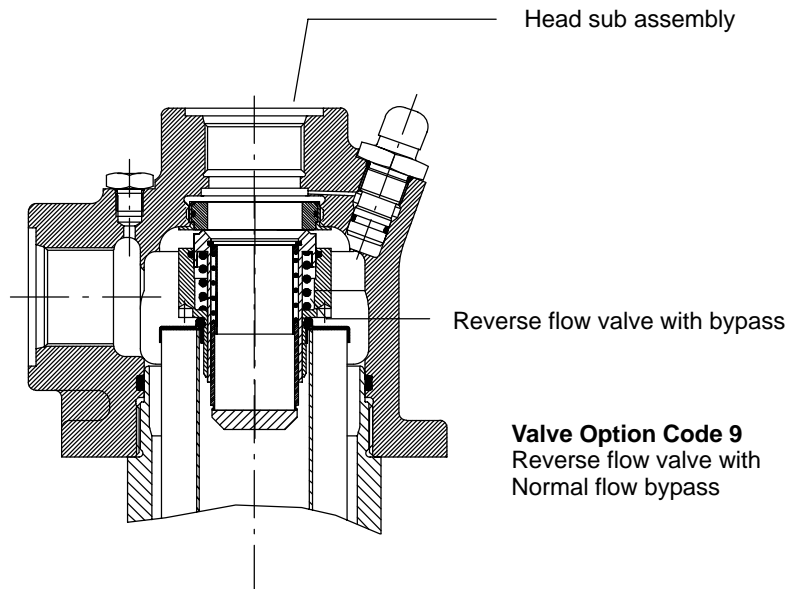


Head sub assembly

▲● AS568-033 "O"-Ring

Poppet  
 Washer

**Valve Option Code 4 & 6**  
 Normal flow bypass  
 No reverse flow valve

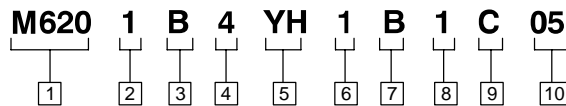


Head sub assembly

Reverse flow valve with bypass

**Valve Option Code 9**  
 Reverse flow valve with  
 Normal flow bypass

# Head Sub Assembly Model Code



**1 Filter series**  
M620

**2 Element collapse rating**  
1 - 10 bar  
4 - 210 bar (H-Pak only)  
NOTE: Use 1 only with bypass valve or monitored  $\Delta P$  indicator

**3 Port options**  
B - G1 to ISO 228  
C - G1<sup>1/4</sup>" to ISO 228  
D - G1<sup>1/2</sup>" to ISO 228  
E - 1<sup>1/2</sup>" 4-bolt SAE split flng. Code 61  
G - 1<sup>1/4</sup>" 4-bolt SAE split flng. Code 61  
Q - 1<sup>1/4</sup>" 4-bolt SAE split flng. Code 62

**4 Valve options**  
1 - Non-Bypass  
4 - Bypass set at 3,5  $\pm$  0,35 bar cracking pressure  
6 - Bypass set at 6  $\pm$  0,7 bar  
8 - Reverse flow valve non-bypass  
9 - Reverse flow valve with bypass set at 3,5  $\pm$  0,35 bar  
NOTE: Options 1 & 8, use only with 210 bar collapse filter element.

**4 Valve options**      **5  $\Delta P$  indicator**

Use with

**1 & 8** (Non-Bypass) E, J, O, P, T, W or Z  
**4 & 9** (Bypass 3,5 bar) D, G, J, L, M, R or Y  
**6** (Bypass 6,2 bar) A, B, I, J, U or V

**5  $\Delta P$  indicator & receptacle options**  
**First designator (Indicator type)**

**A** - Visual  $\Delta P$  indicator w/5  $\pm$  0,5 bar w/surge control  
**B** - Electrical/visual  $\Delta P$  5  $\pm$  0,5 bar w/surge control  
**D** - Electrical/visual  $\Delta P$  2,5  $\pm$  0,35 bar  
**E** - Electrical/visual  $\Delta P$  7  $\pm$  0,85 bar  
**G** - Electrical/visual  $\Delta P$  2,5  $\pm$  0,35 bar thermal lockout (38°C)  
**I** - Visual  $\Delta P$  indicator with 5  $\pm$  0,5 bar thermal lockout (38°C)  
**J** - No  $\Delta P$  indicator  
**L** - Visual  $\Delta P$  indicator with 2,5  $\pm$  0,35 PSID actuation & thermal lockout (38°C)  
**M** - Visual  $\Delta P$  indicator with 2,5  $\pm$  0,35 bar actuation, thermal lockout (38°C) & surge control  
**O** - Visual  $\Delta P$  indicator w/7  $\pm$  0,85 bar actuation & thermal lockout (38°C)  
**P** - Visual  $\Delta P$  indicator with 7  $\pm$  0,85 bar actuation, thermal lockout (38°C) & surge control  
**R** - Electrical  $\Delta P$  switch with 2,5  $\pm$  0,35 bar actuation

**T** - Electrical  $\Delta P$  switch with 7  $\pm$  0,85 bar actuation  
**U** - Electrical/visual  $\Delta P$  5  $\pm$  0,5 bar actuation  
**V** - Electrical/visual  $\Delta P$  indicator with 5  $\pm$  0,5 bar thermal lockout (38°C)  
**W** - Electrical/visual  $\Delta P$  7  $\pm$  0,85 bar thermal lockout (38°C)  
**Y** - Electrical/visual  $\Delta P$  2,5  $\pm$  0,35 bar thermal lockout (38°C) & surge control  
**Z** - Electrical/visual  $\Delta P$  7  $\pm$  0,85 bar thermal lockout (38°C) & surge control  
**Second designator (Electrical receptacle)**

**B** - 5 pin Brad Harrison (41512)  
**H** - DIN 43650 or Hirschman receptacle (GSA plug) 3 poles plus ground  
**N** - No receptacle - Use with visual  $\Delta P$  indicator  
NOTE: Order P-227533-01 for replacement aluminum indicator plug.

**6 Brackets**  
1 - No bracket  
(Order #P-426218-01)

**7 Seal material**  
B - Buna-N  
V - Viton-A  
Viton is a registered trademark of E.I. DuPont

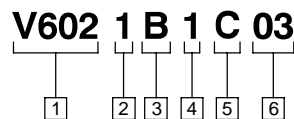
8 Bowl length	Element length
mm	mm
1 - 180	101
2 - 272 *	203
4 - 392	330
5 - 490	406

\*HF3  
**S50** -Head sub-assembly only (No element, bowl or indicator)

**9 Element construction**  
C - C-Pak (grade 01, 3, 5, 10, 20)  
E - E-Pak (grade 3, 5, 10)  
H - H-Pak (grade 3, 10)

10 Fluid cleanliness ratings	Fluid cleanliness level
Code	Fluid cleanliness level
01	Flushing only
03	16/14/12 or better
05	18/16/14 or better
10	20/18/15 or better
20	22/19/16 or better

## Element Model Code



**1 Filter element**  
V602 - For use with M620 series filters

**2 Element collapse rating**  
1 - 10 bar  
4 - 210 bar (H-pak only)  
NOTE: 1 use only with bypass valve

**3 Seal material**  
B - Buna-N  
V - Viton-A

4 Bowl length	Element length
mm	mm
1 - 180	101
2 - 272*	203
4 - 392	330
5 - 491	406

\*HF3

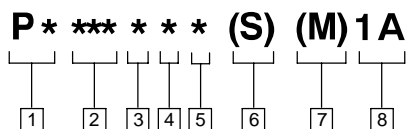
**5 Element construction**  
C - C-pak (grade 01, 03, 5, 10, 20)  
H - H-pak (grade 3, 10)  
E - E-pak (grade 03, 05, 10)

**6 Fluid cleanliness ratings**

Code	Fluid cleanliness level
03	16/14/12 or better
05	18/16/14 or better
10	20/18/15 or better
20	22/19/16 or better

The table above assumes limited ingress and a single pass of pump flow through the element. For more detailed information, please consult Vickers Guide to Systemic Contamination Control or contact your local Vickers Distributor.

# Differential Pressure Indicator Model Code



## 1 Style option

**PV** – Visual  
**PE** – Electrical  
**PD** – Electrical/Visual

## 2 Actuation pressure option

**015** –  $1 \pm 0,3$  bar  
**035** –  $2,4 \pm 0,35$  bar  
**070** –  $4,8 \pm 0,5$  bar  
(not an option with 330/340 filters)  
**090** –  $6,2 \pm 0,7$  bar  
(330/340 filters only)  
**100** –  $6,9 \pm 0,85$  bar

## 3 Thermal lockout option

**N** – No thermal lockout  
**T** – Thermal lockout  
standard TLO= $80 \pm 20^\circ$  F  
( $27 \pm 11^\circ$  C)

## 4 Seal option

**1** – Buna-N  
**2** – Viton

## 5 Receptacle option

**B** – 5-pin Brad Harrison (41512)  
(not an option with visual indicator)  
**H** – Hirschman (DIN 43650)  
(not an option with visual indicator)  
**N** – No receptacle (use with visual indicator)

## 6 Surge control option

**None** – No surge control  
**S** – Surge control  
(not an option with 330/340 filters)

## 7 Filter series option

**None** – Standard  
**M** – 330/340 Filters only

## 8 Revision level

**1A** – Original design series (1) and  
revision (A)