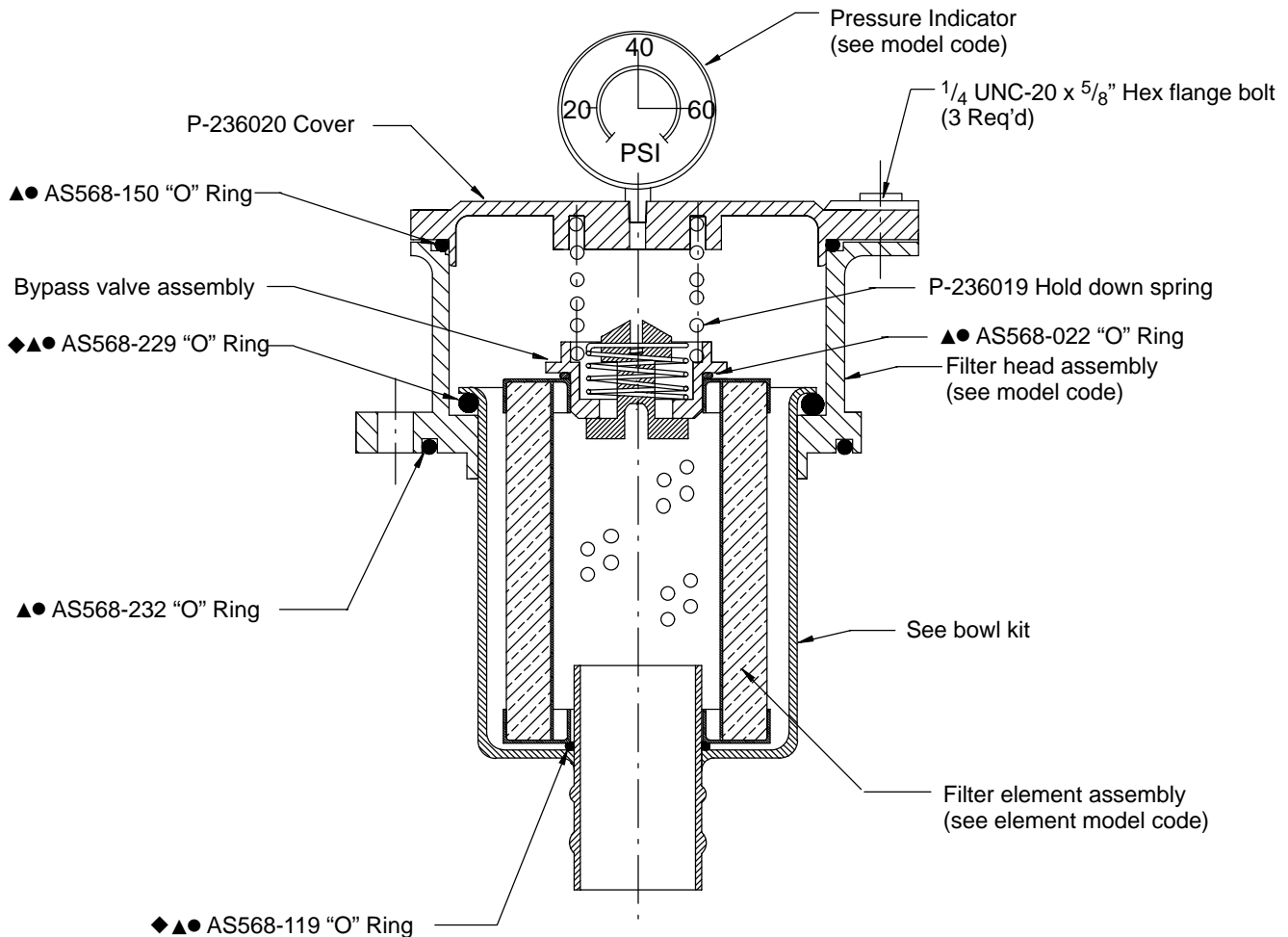


## Service Data

### High Performance/Low Pressure Filter Flows to 38 L/min 7 bar MT10 Series



Bowl	Bowl length mm (in)	Element code length mm (in)
P-235920	60,7	70,0

NOTE: Bowl kit contains Buna-N seals, to order Viton seals, replace **B** in partnumber with a **V**.

Example:

From: P-235920-01**B**, for Buna.

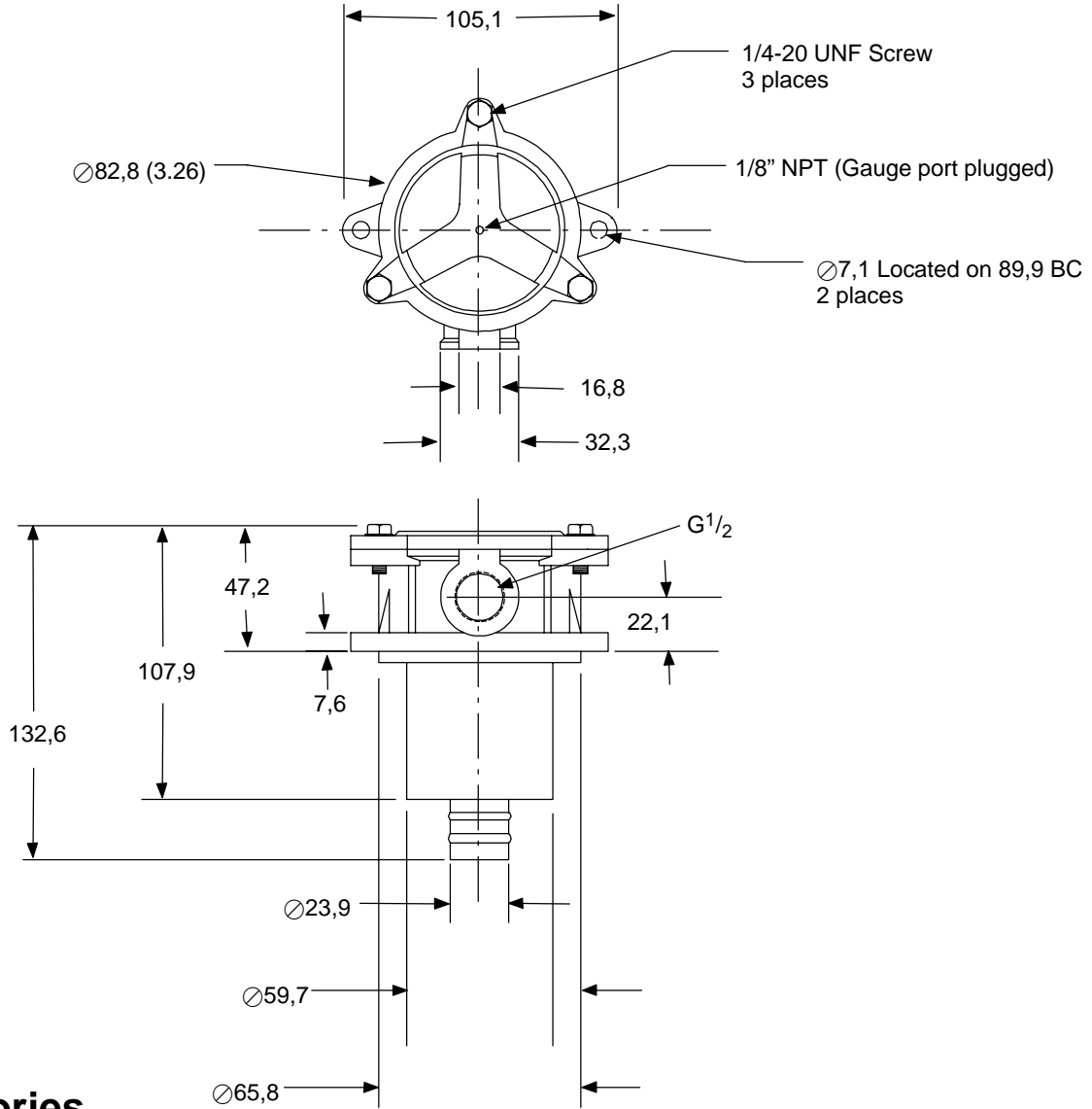
To: P-235920-01**V**, for Viton.

- ▲ Included in seal kit P-235876-01 Buna
- Included in seal kit P-235876-03 Viton
- ◆ Included in Bowl kit P-235920

Bowl kits contain (Bowl, "O" Ring)

# MT10 Housing Dimensions

mm

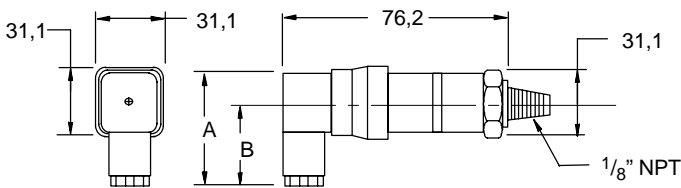


## Accessories

### Electrical Switch

Switch 1,2 bar Brad Harrison  
Switch 1,2 bar DIN

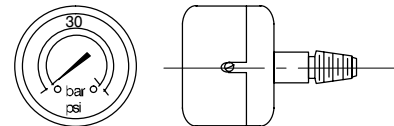
P-234117-01  
P-233051-01



Connector	A	B
DIN 43650	48,2	34,9
Brad Harrison	59,2	45,7

### Gauge

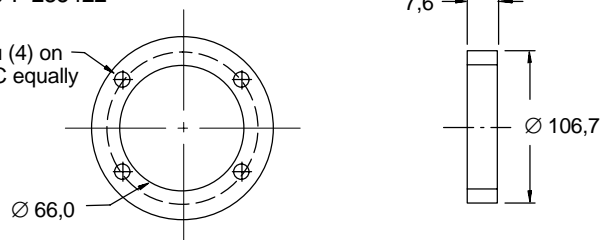
MT10 P-232965-01 0-4,1 bar color coded



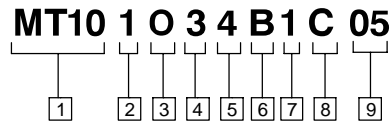
### Weld Flange

MT10 P-235422

M6 x 1 thru (4) on 88,9 dia BC equally spaced



# Head Sub-assembly Model Code



**1 Filter series**

**MT10**

**2 Element collapse rating**

**1** – 10 bar

**3 Port option**

**O** – G 1/2 to ISO 228

**4 Valve bypass setting option**

**3** – Bypass set at 1.72 ± 0.21 bar cracking pressure.

**5 Indicator type**

- 1** – No indicator, pipe plug installed
- 4** – 0 to 4,14 bar pressure gage, color coded
- 6** – Electrical switch 1,24 bar Brad Harrison
- 8** – Electrical switch 1,24 bar DIN 43650

**6 Seal material**

- B** – Buna–N
- V** – Viton–A

**7 Bowl length mm (in)**

**1** – 60,7

**Element code length mm (in)**

70,0

**8 Element construction**

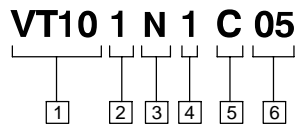
**C** – C–pak (3,5,10 & 20 grade)

**9 Fluid cleanliness ratings**

Code	Fluid cleanliness level	Element construction
<b>03</b>	16/14/12 or better	C–pak
<b>05</b>	18/16/14 or better	C–pak
<b>10</b>	20/18/15 or better	C–pak
<b>20</b>	22/19/16 or better	C–pak

The table above assumes limited ingress and a single pass of pump flow through the element. For more detailed information, please consult Vickers Guide to Systemic Contamination Control or contact your local Vickers Distributor.

# Element Model Code



**1 Filter element**

**VT10** – For use with MT10 series filters

**2 Element collapse rating**

**1** – 10 bar

**3 Seal material**

**N** – Element does not contain seals

**5 Element construction**

**C** – C–pak (3,5,10 & 20 grade)

**6 Fluid cleanliness ratings**

Code	Target fluid cleanliness level
<b>03</b>	16/14/12 or better
<b>05</b>	18/16/14 or better
<b>10</b>	20/18/15 or better
<b>20</b>	22/19/16 or better

**4 Bowl length mm (in)**

**1** – 60,7

**Element code length mm (in)**

70,0

The table above assumes limited ingress and a single pass of pump flow through the element. For more detailed information, please consult Vickers Guide to Systemic Contamination Control or contact your local Vickers Distributor.

**Element Dimensions mm (in.)**

