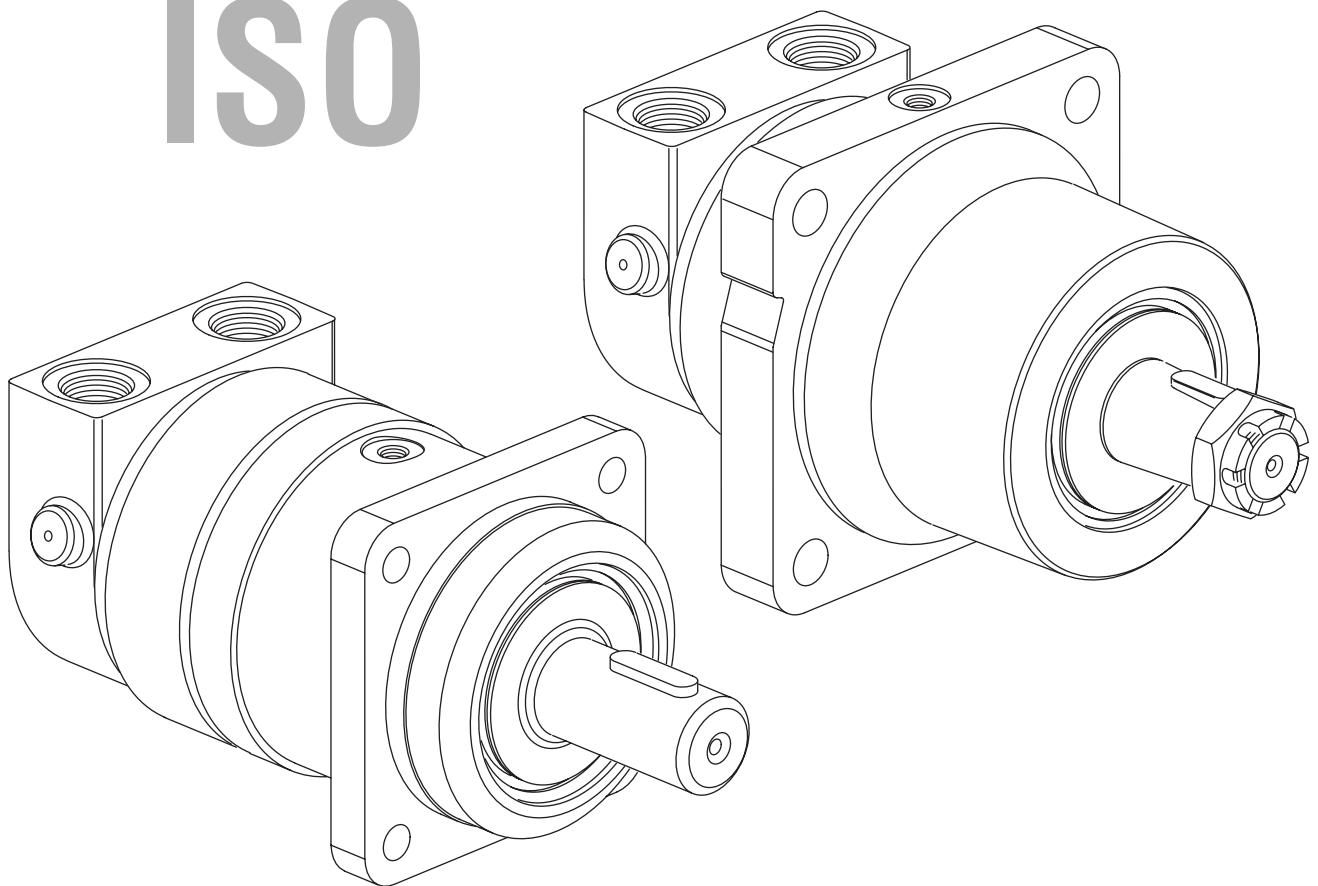




Parts Information

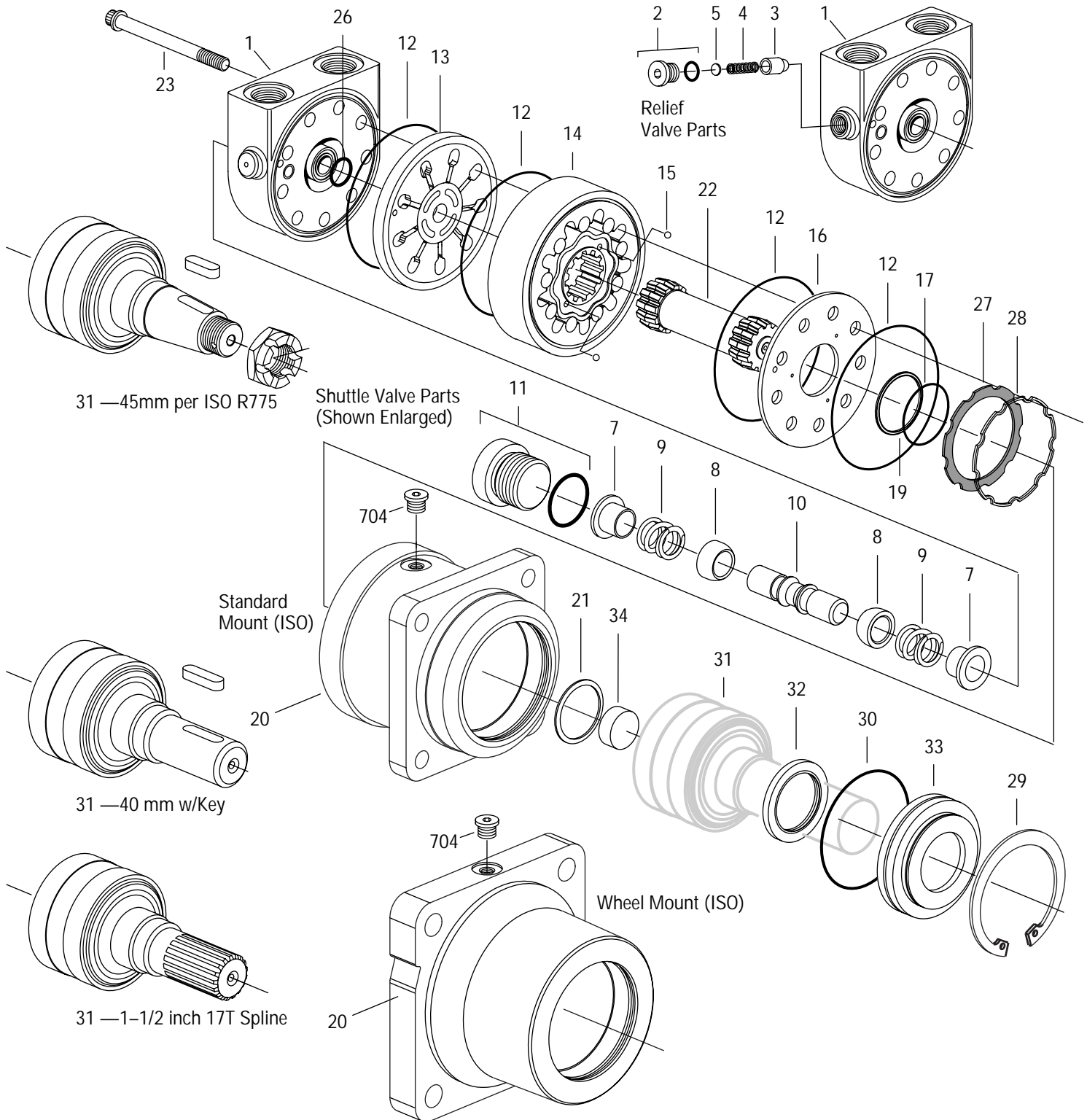
ISO



Series VIS 30
Standard and Wheel Motors (ISO)

002

Series VIS 30 — Parts Dwg



| Ref. No. | Part No. | Description | Quantity |
|----------|------------|---|----------|
| 1 | 201519-004 | End Cap Assembly G 3/4 (BSP) O-ring Ports (2) | 1 |
| | 201737-00X | End Cap Assembly G 3/4 (BSP) O-ring Ports (2) w/Relief Valve Bore | 1 |
| 2 | 9072-004 | Plug/O-ring (for relief valve unit only) | 1 |
| X | 250003-905 | O-ring | 1 |
| 3 | 201495-004 | Poppet (for relief valve unit only) | 1 |
| 4 | 17024-026 | Spring (for relief valve unit only) | 1 |
| 5 | 16048-500 | Shim (for relief valve unit only) | A/R |
| 7 | 8755-000 | Sleeve, Dash Pot | 2 |
| 8 | 8567-000 | Poppet | 2 |
| 9 | 230079-000 | Spring | 2 |
| 10 | 201494-001 | Piston, Shuttle | 1 |
| 11 | 9266-006 | Plug/O-ring Sub Assembly | 1 |
| X | 250003-906 | O-ring | 1 |
| X 12 | 14559-014 | Seal | 4 |
| 13 | 201946-001 | Plate, Valve | 1 |
| 14 | * | Geroler® | 1 |
| 15 | 285020-060 | Ball | 2 |
| 16 | 201273-001 | Plate, Balance | 1 |
| X 17 | 250002-032 | O-ring | 1 |
| X 19 | 14693-001 | Ring, Back-up | 1 |
| 20 | 202245-010 | Flange, Mounting (Standard) — G 1/4 (BSP) O-ring Case Drain Port | 1 |
| | 202245-004 | Flange, Mounting (Wheel) — G 1/4 (BSP) O-ring Case Drain Port | 1 |
| X 21 | 9080-001 | Seal, Face | 1 |
| 22 | * | Drive | 1 |
| 23 | * | Screw, Cap — 12 pt. | 9 |
| X 26 | 250183-002 | O-ring | 1 |
| X 27 | 14720-002 | Seal (for relief valve unit only) | 1 |
| X 28 | 14713-002 | Ring, Back-up | 1 |
| 29 | 16077-063 | Ring, Retaining | 1 |
| X 30 | 250002-044 | O-ring | 1 |
| 31 | 202241-012 | Shaft S/A (40 mm Straight) | 1 |
| | 14458-010 | Key (for 40 mm Straight) | 1 |
| | 202241-011 | Shaft S/A (1-1/2 Inch 17 Tooth Splined) | 1 |
| | 202241-004 | Shaft S/A (45 mm Tapered) | 1 |
| | 14458-001 | Key (for 45 mm Tapered) | 1 |
| | 14685-001 | Nut (for 45 mm Tapered) | 1 |
| X 32 | 14812-001 | Seal, Shaft | 1 |
| 33 | 202243-001 | Front Retainer | 1 |
| 34 | 202879-001 | Spacer, Drive | 1 |
| 704 | 9170-002 | Plug (Includes Integral Packing Ring) | 1 |
| | 61338-000 | Seal Kit — Contains Parts Indicated by X | |

* See Chart Below A/R — As Required

| Displacement cm ³ /r [in ³ /r] | Ref. No. 14 Geroler® | Width mm [inch] | Ref. No. 22 Drive | Length mm [inch] | Ref. No. 23 Screw, Cap | Length mm [inch] |
|---|-------------------------|--------------------|----------------------|---------------------|---------------------------|---------------------|
| 246 [15.0] | 201280-002 | 24,0 [.94] | 201901-002 | 108,0 [4.25] | 16326-425 | 107,9 [4.25] |
| 323 [19.7] | 201280-003 | 31,4 [1.24] | 201901-003 | 114,8 [4.52] | 16326-450 | 114,3 [4.50] |
| 397 [24.2] | 201280-005 | 38,6 [1.52] | 201901-005 | 123,1 [4.85] | 16326-475 | 120,6 [4.75] |
| 492 [30.0] | 201280-006 | 47,9 [1.89] | 201901-006 | 131,3 [5.17] | 16326-500 | 127,0 [5.00] |
| 623 [38.0] | 201280-007 | 60,7 [2.39] | 201901-007 | 144,0 [5.67] | 16326-550 | 139,7 [5.50] |

VIS Motors

Series VIS 30

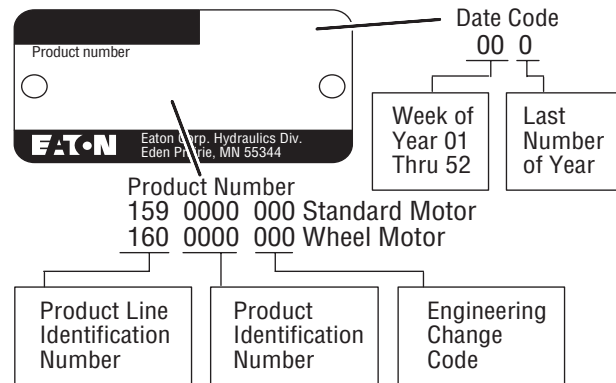
How to Order Replacement Parts

Each Order Must Include the Following:

1. Product Number
2. Date Code
3. Part Name
4. Part Number
5. Quantity of Parts

For more detailed information contact Eaton Corp. Hydraulics Division 15151 highway 5 Eden Prairie, MN 55344.

- Specifications and performance data, catalog No. 11-112
- When servicing Series VIS 30 motors refer to Repair Information No. 7-153. This repair manual lists tools required, and step by step disassembly and reassembly procedures.



Eaton
Fluid Power Group
Hydraulics Business USA
14615 Lone Oak Road
Eden Prairie, MN 55344
USA
Tel: 952-937-9800
Fax: 952-294-7722
www.eaton.com/hydraulics

Eaton
Fluid Power Group
Hydraulics Business Europe
Route de la Longeraie 7
1110 Morges
Switzerland
Tel: +41 (0) 21 811 4600
Fax: +41 (0) 21 811 4601

Eaton
Fluid Power Group
Hydraulics Business Asia Pacific
11th Floor Hong Kong New World Tower
300 Huaihai Zhong Road
Shanghai 200021
China
Tel: 86-21-6387-9988
Fax: 86-21-6335-3912