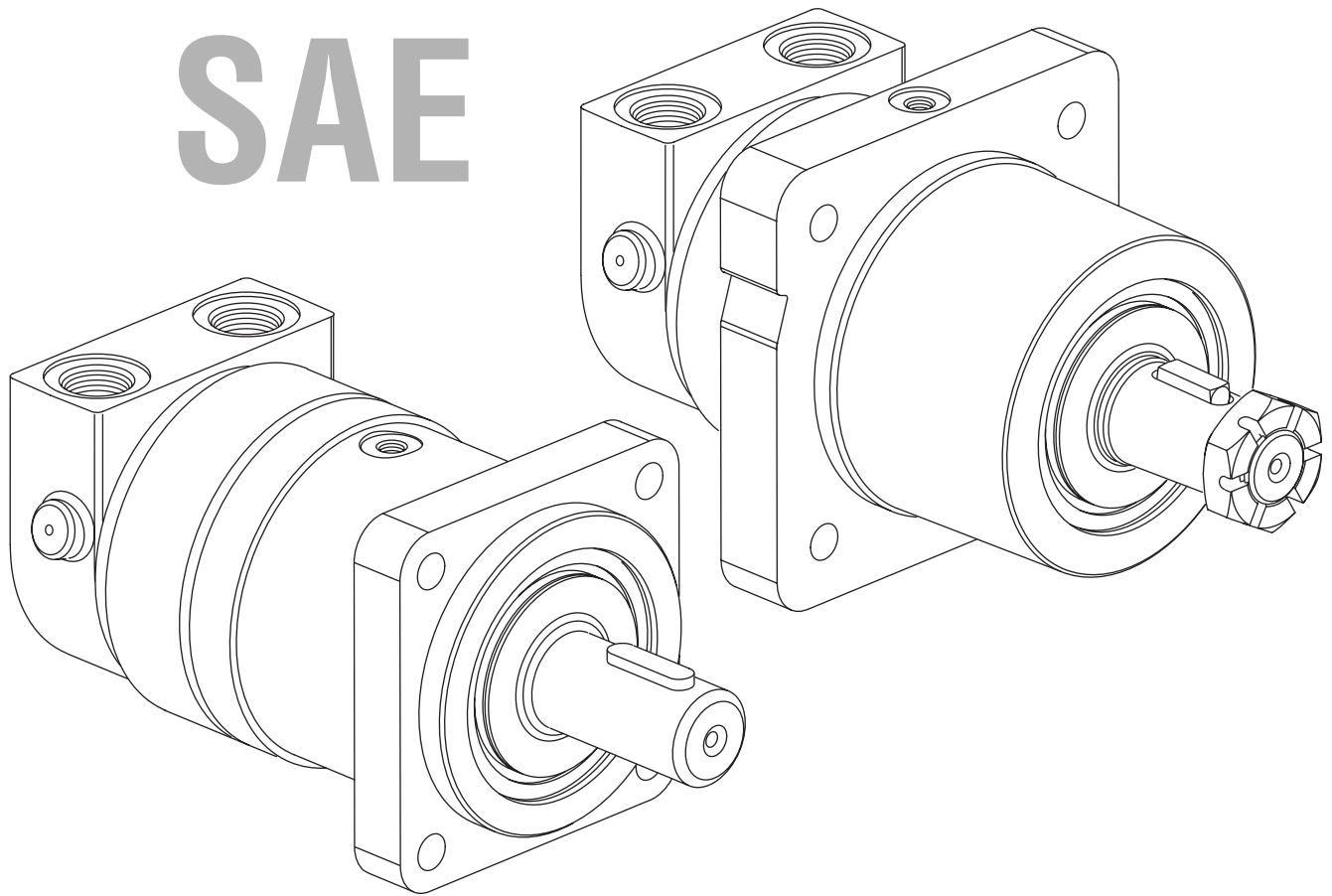




Parts Information

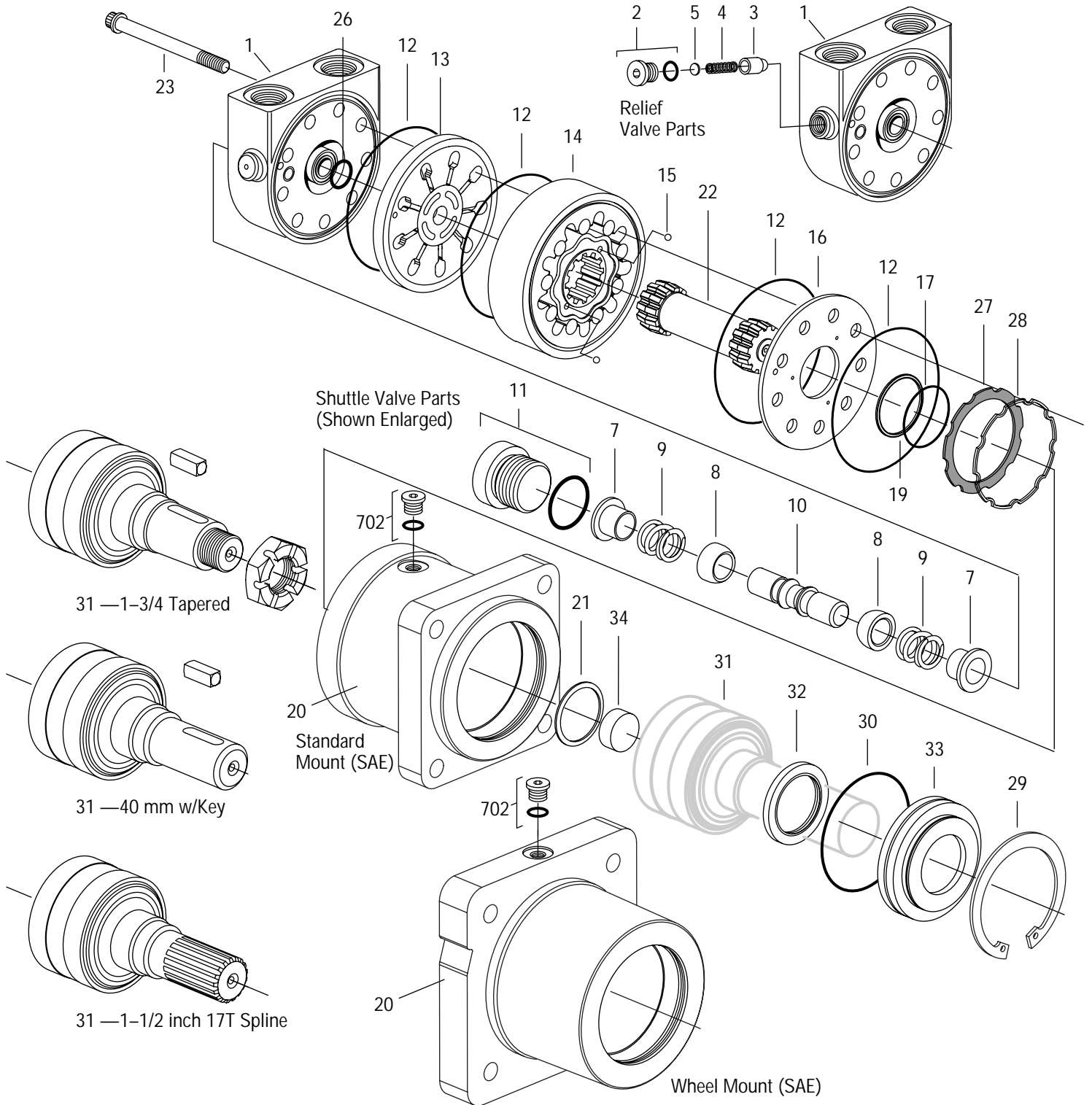
SAE



Series VIS 30
Standard and Wheel Motors (SAE)

002

Series VIS 30 — Parts Dwg



Ref. No.	Part No.	Description	Quantity	
1	201519-003	End Cap Assembly 1-5/16-12 O-ring Ports (2)	1	
	201737-001	End Cap Assembly 1-5/16-12 O-ring Ports (2) w/Relief Valve Bore	1	
2	9072-004	Plug/O-ring (for relief valve unit only)	1	
X	250003-905	O-ring	1	
3	201495-004	Poppet (for relief valve unit only)	1	
4	17024-026	Spring (for relief valve unit only)	1	
5	16048-500	Shim (for relief valve unit only)	A/R	
7	8755-000	Sleeve, Dash Pot	2	
8	8567-000	Poppet	2	
9	230079-000	Spring	2	
10	201494-001	Piston, Shuttle	1	
11	9266-006	Plug/O-ring Sub Assembly	1	
X	250003-906	O-ring	1	
X	14559-014	Seal	4	
13	201946-001	Plate, Valve	1	
14	*	Geroler®	1	
15	285020-060	Ball	2	
16	201273-001	Plate, Balance	1	
X	17	250002-032	O-ring	1
X	19	14693-001	Ring, Back-up	1
	20	202245-008	Flange, Mounting (Standard) — 9/16-18 O-ring Case Drain Port	1
		202245-009	Flange, Mounting (Wheel) — 9/16-18 O-ring Case Drain Port	1
X	21	9080-001	Seal, Face	1
	22	*	Drive	1
	23	*	Screw, Cap 12 pt.	9
X	26	250183-002	O-ring	1
X	27	14720-002	Seal (for relief valve unit only)	1
X	28	14713-002	Ring, Back-up	1
	29	16077-063	Ring, Retaining	1
X	30	250002-044	O-ring	1
	31	202241-010	Shaft S/A (40 mm Straight)	1
		14458-006	Key (for 40 mm Straight)	1
		202241-009	Shaft S/A (1-1/2 Inch 17 Tooth Splined)	1
		202241-006	Shaft S/A (1-3/4 Inch Tapered)	1
		14394-007	Key (for 1-3/4 Inch Tapered)	1
		14230-000	Nut (for 1-3/4 Inch Tapered)	1
X	32	14812-001	Seal, Shaft	1
	33	202243-001	Front Retainer	1
	34	202879-001	Spacer, Drive	1
702	9072-005	Plug/O-ring S/A	1	
	250003-906	O-ring	1	
	61338-000	Seal Kit — Contains Parts Indicated by X		

* See Chart Below A/R — As Required

Displacement cm ³ /r [in ³ /r]	Ref. No. 14 Geroler®	Width mm [inch]	Ref. No. 22 Drive	Length mm [inch]	Ref. No. 23 Screw, Cap	Length mm [inch]
246 [15.0]	201280-002	24,0 [.94]	201901-002	108,0 [4.25]	16326-425	107,9 [4.25]
323 [19.7]	201280-003	31,4 [1.24]	201901-003	114,8 [4.52]	16326-450	114,3 [4.50]
397 [24.2]	201280-005	38,6 [1.52]	201901-005	123,1 [4.85]	16326-475	120,6 [4.75]
492 [30.0]	201280-006	47,9 [1.89]	201901-006	131,3 [5.17]	16326-500	127,0 [5.00]
623 [38.0]	201280-007	60,7 [2.39]	201901-007	144,0 [5.67]	16326-550	139,7 [5.50]

VIS Motors

Series VIS 30

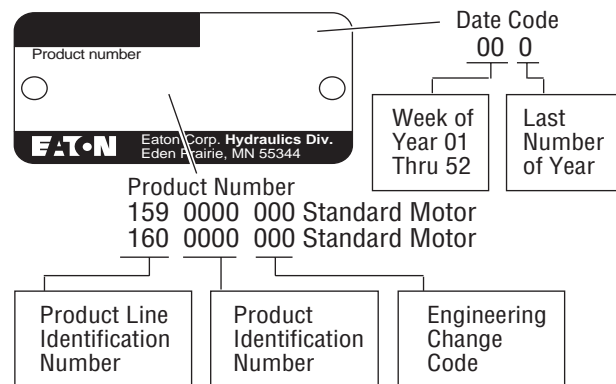
How to Order Replacement Parts

Each Order Must Include the Following:

1. Product Number
2. Date Code
3. Part Name
4. Part Number
5. Quantity of Parts

For More Detailed Information Contact Eaton Corp. Hydraulics Division 15151 Highway 5 Eden Prairie, MN 55344.

- Specifications and performance data, Catalog No. 11-112
- When servicing 30 Series Motors refer to Repair Information No. 7-153. This repair manual lists tools required, and step by step disassembly and reassembly procedures.



Eaton
Fluid Power Group
Hydraulics Business USA
14615 Lone Oak Road
Eden Prairie, MN 55344
USA
Tel: 952-937-9800
Fax: 952-294-7722
www.eaton.com/hydraulics

Eaton
Fluid Power Group
Hydraulics Business Europe
Route de la Longeraie 7
1110 Morges
Switzerland
Tel: +41 (0) 21 811 4600
Fax: +41 (0) 21 811 4601

Eaton
Fluid Power Group
Hydraulics Business Asia Pacific
11th Floor Hong Kong New World Tower
300 Huaihai Zhong Road
Shanghai 200021
China
Tel: 86-21-6387-9988
Fax: 86-21-6335-3912