

Service Bulletin

September 1, 1989

Service Bulletin

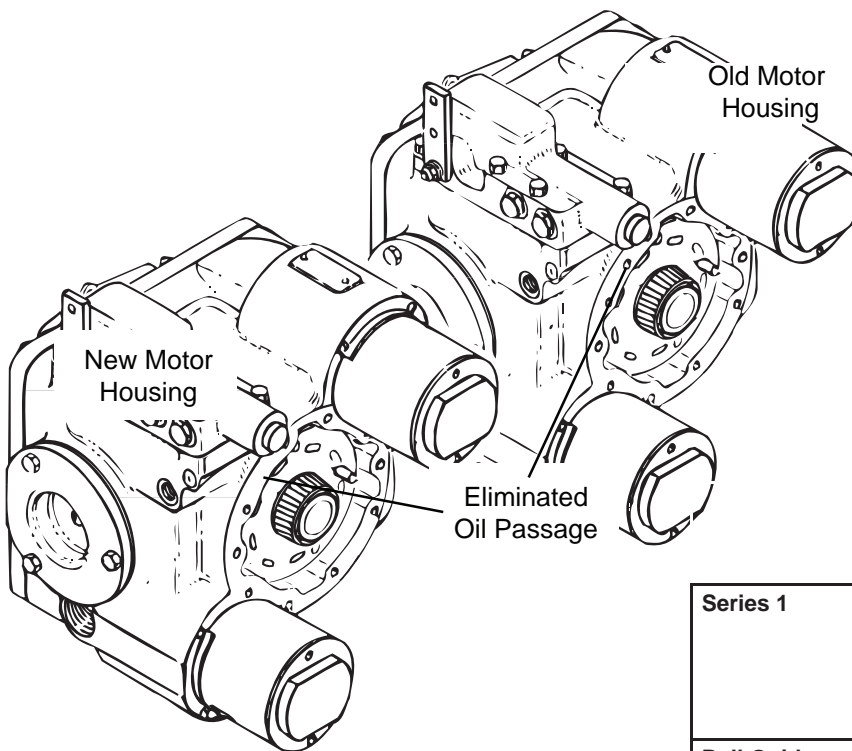
To: Eaton® Heavy Duty Hydrostatic distributors and OEM customers.

Subject: Models 33 thru 76 Variable Motor Housings.

The housings used on all heavy duty variable motors have been changed. One of the internal oil passages has been eliminated. As a result the variable motor and pump housings are no longer interchangeable.

Use of the new motor housing begins with serial number 11 88 036200.

The drawing below shows the difference between the housings and the table summarizes their part numbers:



	Variable Motor Housing Part Numbers		
	Model	New	Old
Series 1	3341	101841	101838
	3941	101841	101838
	4641	101841	101838
	5441	105470	103805
	6441	105470	103805
Ball Guide	3340	101841	101838
	3940	101841	101838
	4640	101842	101839
	5440	105470	103805
	7640	105473	101816

Chuck Peters
Service Manager



Eaton
Fluid Power Group
Hydraulics Business USA
14615 Lone Oak Road
Eden Prairie, MN 55344
USA
Tel: 952-937-9800
Fax: 952-294-7722
www.eaton.com/hydraulics

Eaton
Fluid Power Group
Hydraulics Business Europe
Route de la Longeraie 7
1110 Morges
Switzerland
Tel: +41 (0) 21 811 4600
Fax: +41 (0) 21 811 4601

Eaton
Fluid Power Group
Hydraulics Business Asia Pacific
11th Floor Hong Kong New World Tower
300 Huaihai Zhong Road
Shanghai 200021
China
Tel: 86-21-6387-9988
Fax: 86-21-6335-3912