



Vickers

LV2P Series Filters

Flows to 110 L/min
(29 USgpm)

Pressures to 100 bar
(1500 PSI)



Features and Benefits

- Designed to comply with ANSI specifications and ISO cleanliness standards.
- Visual, electrical, and electrical indicators with lamp options for system design flexibility.
- Zero leak by-pass valve construction.
- Wide range of element lengths for maximum design flexibility.
- High efficiency replacement elements in standard configurations (C-Pak) to meet Target Cleanliness Levels.
- High collapse elements available for non-bypass applications.

DESIGN SPECIFICATIONS

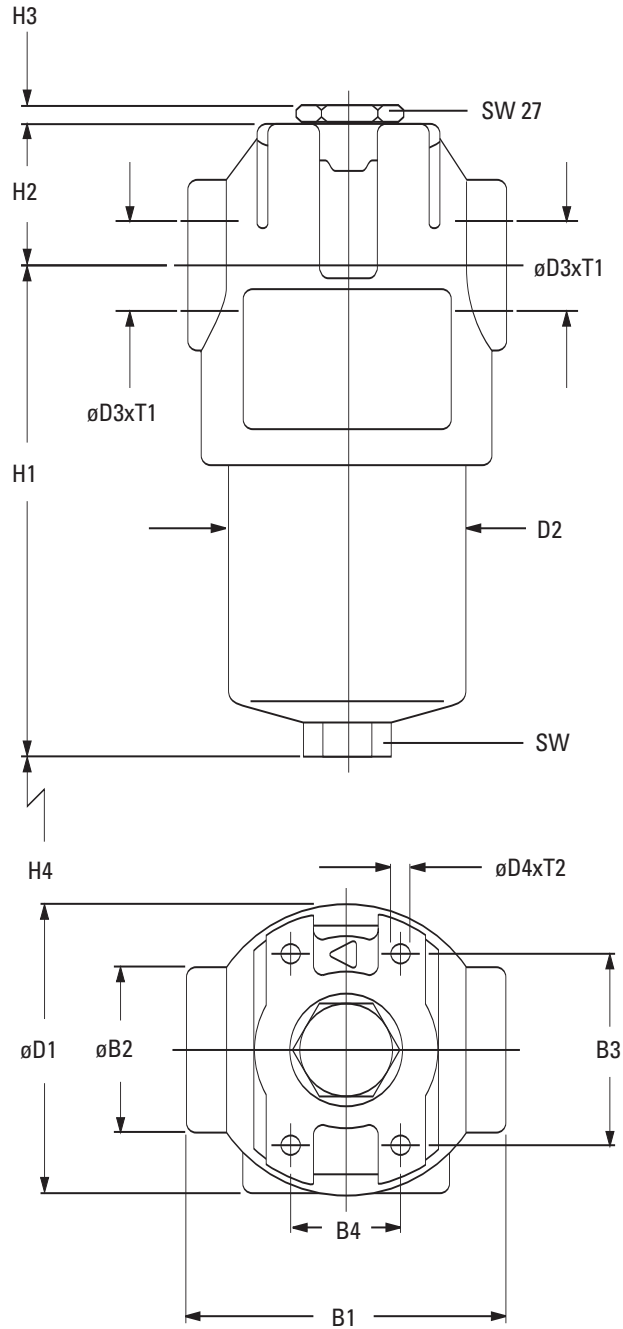
Rated flow:	Length 3	60 L/min (16 USgpm)
	Length 6	110 L/min (29 USgpm)
Housing & Element Compatibility:	Compatible with most petroleum oil, oil-in-water and water-in-oil fluids. Optional seals available for phosphate esters.	
Temp range:	-26°C to +121°C (-15°F to +250°F)	
Pressure rating:	Operating	100 bar (1500 PSI)
	Proof	258 bar (3750 PSI)
	Burst	420 bar (6090 PSI)
	Fatigue	100 bar (1500 PSI)
Material:	Head	Aluminum
	Bowl	Aluminum
Dry weight: (Approximate with element)	Length 3	4.1 kg (9 lbs)
	Length 6	6 kg (13.7 lbs)



Dimensions

LV2P Housing

mm (inch)

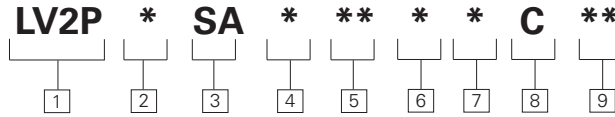


	Size B1	B2	B3	B4	D1	D2	D3	D4	H1	H2	H3	H4	SW	T1	T2
Length 3	91	50	56	32	83	68	SAE 12	1/4-28	140	40	7	75	24	17	9
Length 6	91	50	56	32	83	68	SAE 12	1/4-28	207	40	7	75	27	17	9

measurements are in millimeters

Model Codes

LV2P Series Filter Assembly Model Code



Sample model code:
LV2P-1-SA-4-LN-B-3-C-05

1 Filter Series
LV2P - Series

2 Element Collapse Rating
1 - 250 PSI Low Collapse
4 - 3000 PSI High Collapse

3 Port options
SA - 1.062 - 12UN SAE-12
(3/4" tube)

4 Valve options
1 - Non-Bypass
4 - Bypass set at 43 PSI
cracking pressure
6 - Bypass set at 90 PSI
cracking pressure

5 Indicator options

First Designator - Indicator Type

A - Visual 70 PSI
J - No Indicator (plug)
L - Visual 30 PSI
R - Electrical 30 PSI
U - Electrical 70 PSI

Second Designator - Electrical Receptical

B - Brad Harrison
H - Hirshman
J - Hirshman with 24 volt light
K - Hirshman with 115 volt light
L - Hirshman with 230 volt light
N - No Connector - use with
visual indicators and "J"

6 Seal material

B - Buna-N
V - Viton-A

Viton is a registered trademark of E.I. DuPont

7 Element length	Assembly length
3 - 84mm (3")	187mm (7.36")
6 - 152mm (6.0")	254mm (10.0")

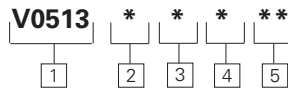
8 Element construction
C - Standard Construction

9 Fluid cleanliness rating

Code	Target fluid cleanliness level
03	16/14/12 or better
05	18/16/14 or better
10	20/18/15 or better
20	22/19/16 or better

The table assumes limited ingress/single pass of pump flow through element. For detailed assistance, see "The Systemic Approach to Contamination Control" or contact your local Eaton representative.

V0513 Series Replacement Filter Element Model Codes



Sample model code:
V0513-B-6-C-0505

1 Filter element
V0513 - For use with LV2P series housings

2 Seal material

B - Buna-N
V - Viton-A

Viton is a registered trademark of E.I. DuPont

3 Element length

mm (inch)
3 - 84 (3)
6 - 152 (6)

4 Element construction
C - C-Pak (grade 3, 5, 10, 20)
H - H-Pak (grade 3, 5, 10)

5 Fluid cleanliness ratings

Code	Target fluid cleanliness level
03	16/14/12 or better
05	18/16/14 or better
10	20/18/15 or better
20	22/19/16 or better

The table assumes limited ingress/single pass of pump flow through element. For detailed assistance, see "The Systemic Approach to Contamination Control" or contact your local Eaton representative.

DESIGN SPECIFICATIONS

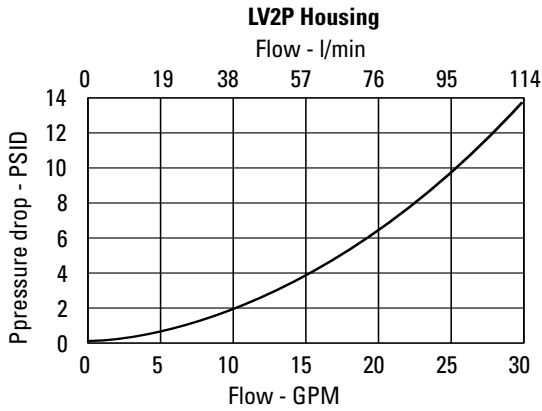
Rated flow:	Length 3 Length 6	60 L/min (16 USgpm) 110 L/min (29 USgpm)
Housing & Element Compatibility:	Compatible with most petroleum oil, oil-in-water and water-in-oil fluids. Optional seals available for phosphate esters.	
Temp range:	-40°C to +121°C (-40°F to +250°F)	
Construction:	C-Pak or H Pak	

LV2P Series Flow Data

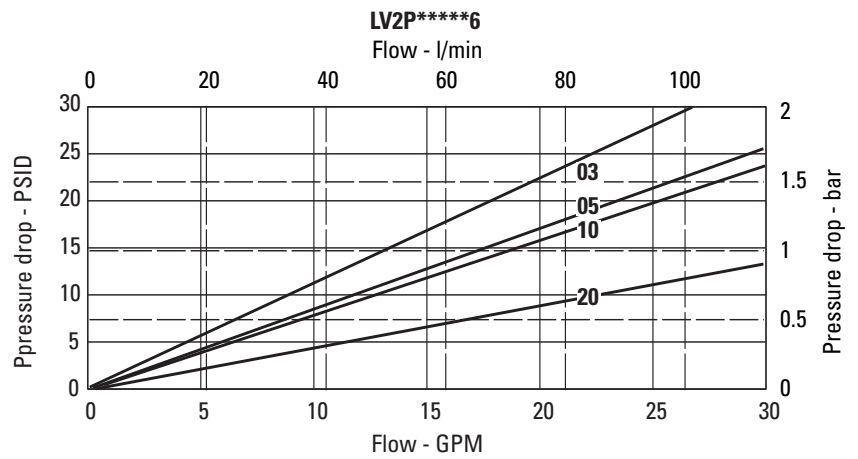
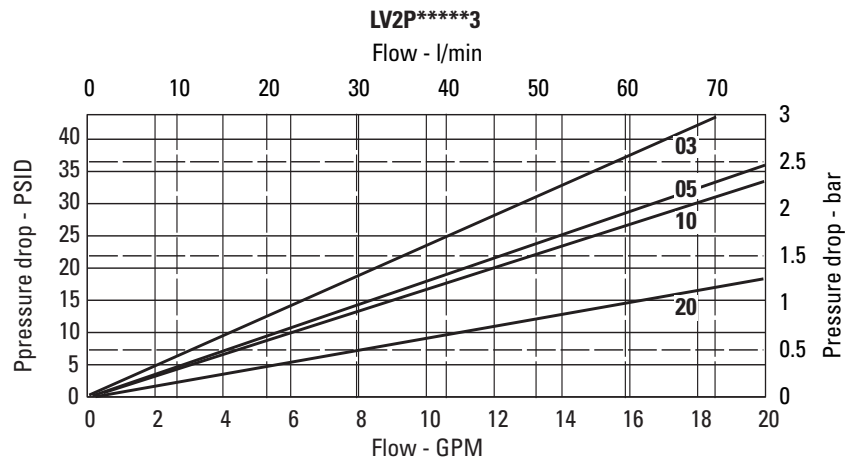
Flow versus pressure drop:
150 SUS (32 cSt) oil with
specific gravity of <0.9

mm (inch)

Housing Curves



Element Flow Curves



Eaton
14615 Lone Oak Road
Eden Prairie, MN 55344
USA
Tel: 952 937-9800
Fax: 952 974-7722
www.hydraulics.eaton.com

Eaton
20 Rosamond Road
Footscray
Victoria 3011
Australia
Tel: (61) 3 9319 8222
Fax: (61) 3 9318 5714

Eaton
Eaton Fluid Power GmbH
Dr.-Reckeweg-Str. 1
D-76532 Baden-Baden, Germany
Tel: +49 (0) 7221 682-0
Fax: +49 (0) 7221 682-788



© 2004 Eaton Corporation
All Rights Reserved
Printed in USA
Document No. V-FIFI-TB007-E
September 2004