

Vickers® Filters

Service Data

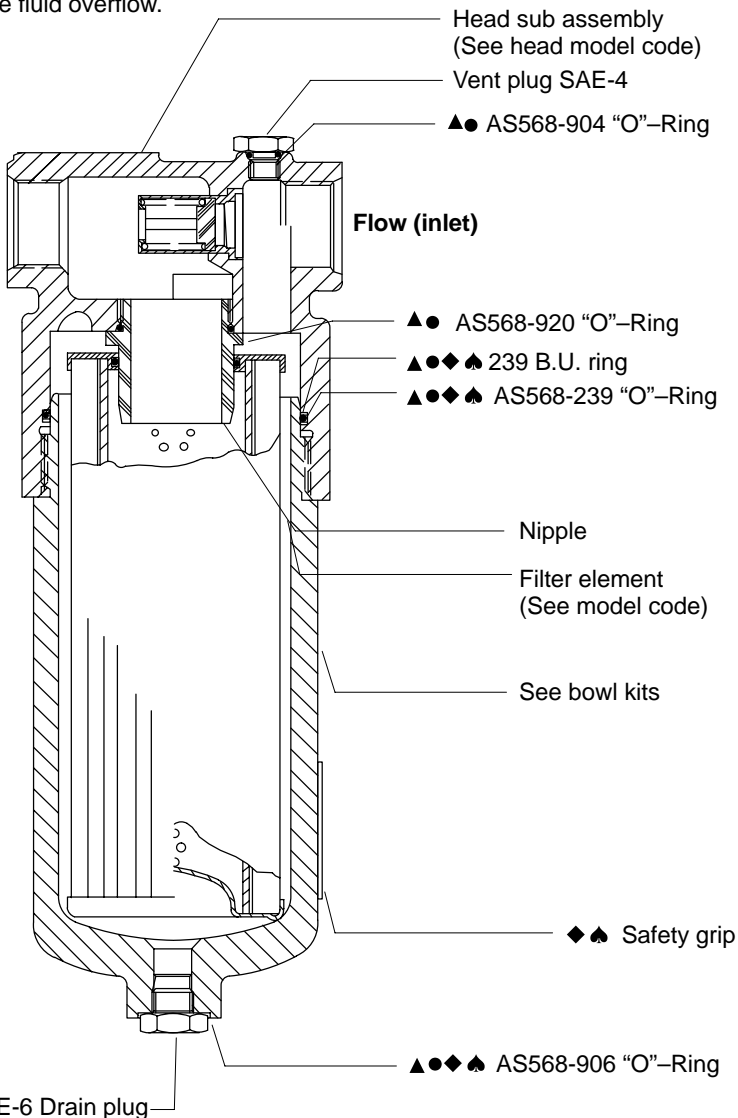


H350 Series High Performance Filter Flows to 189 L/min (50 USgpm)

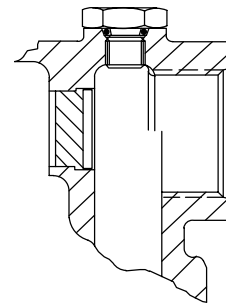


CAUTION

Before servicing the element, the bleed plug in filter housing must be loosened to relieve hydraulic pressure. This will minimize fluid overflow.



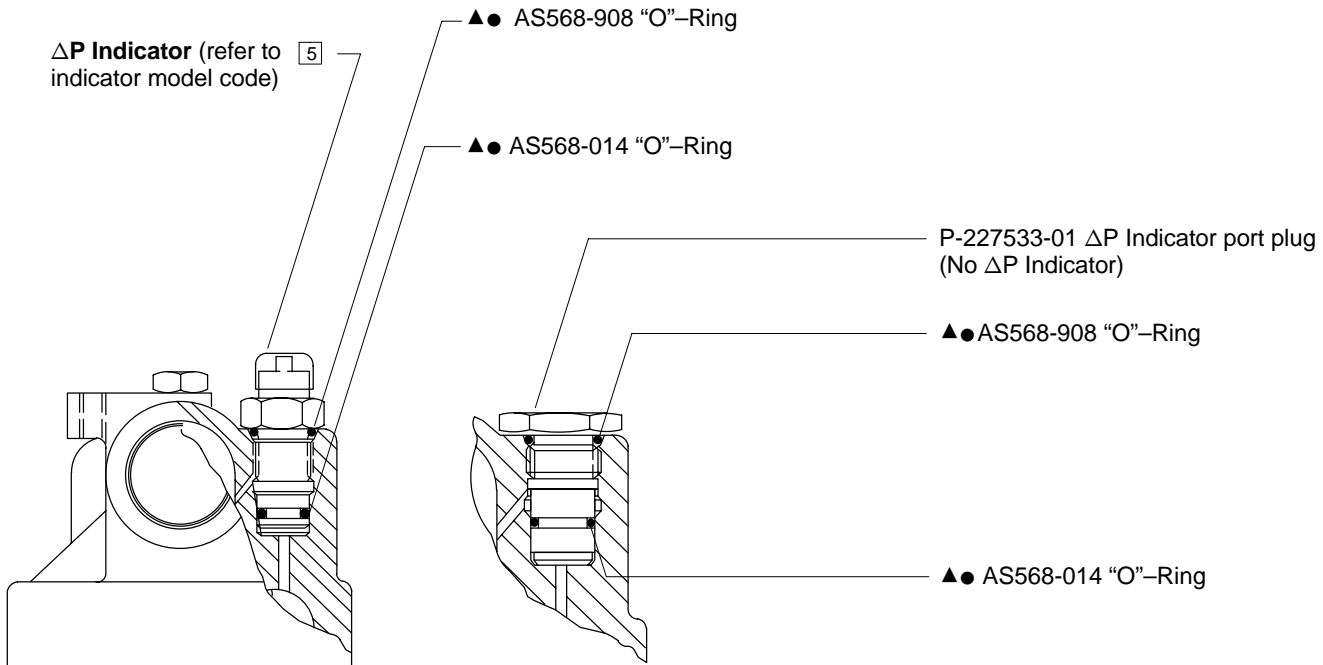
Non-Bypass Option



Note: Refer to model code 4
Bypass valve option #1 (non-bypass)

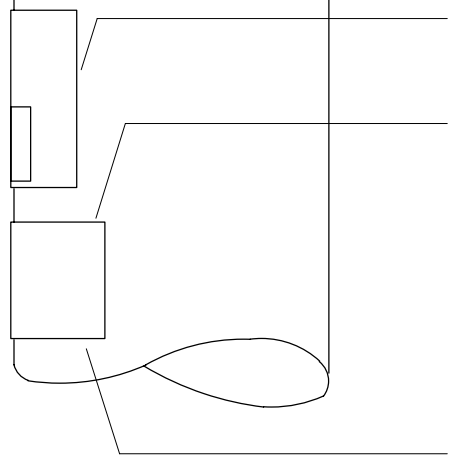
NOTE: Bowl kits contain Buna-N seals, to order Viton seals, replace **B** in part number with a **V**.
Example:
From: P-133239-01**B**, for Buna.
To: P-133239-01**V**, for Viton.

- ▲ Included in seal kit P-427466-1B Buna
- Included in seal kit P-427466-3B Viton
- ◆ Included in 4" Bowl kit P-133236-01B
- ◆ Included in 8" Bowl kit P-133236-02B



ΔP Indicator (refer to indicator model code) 5

Note: Refer to model code JN. 5
No ΔP Indicator



P-133757-01 Nameplate

P-126255-01 Warning decal (Use with valve option code 3, 4 & 6)

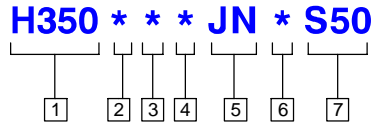
WARNING
 To prevent filter bypass, change the filter element on visual or electrical indication or at specified intervals (Max. six months) whichever is applicable.

Assembly note:
 For short bowl models, attach Warning decal on the opposite side of nameplate.

P-126255-02 Warning decal (Use with valve option code 1)

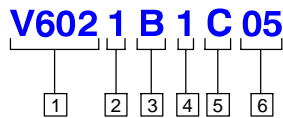
WARNING
 To prevent high pressure losses and defective operation, change filter elements at specified intervals. (Maximum six months)

Head Sub Assembly Model Code



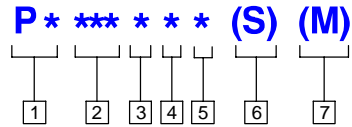
<p>1 Filter series H350</p> <hr/> <p>2 Element collapse rating 1 – 150 PSID (10 bar) 4 – 3000 PSID (41,4 bar) (H– pak only)</p> <hr/> <p>3 Port B – 1” SAE–J514 straight thread</p> <hr/> <p>4 Valve options 1 – Non–bypass 3 – Bypass set at 25 ± 5 PSID (1,7 bar) cracking pressure 4 – Bypass set at 50 ± 5 PSID (3,4 bar) cracking pressure 6 – Bypass set at 90 ± 10 PSID (6,2 bar) cracking pressure</p>	<p>5 ΔP indicator & receptacle options First designator (Indicator type) J – No ΔP indicator</p> <hr/> <p>Second designator (Electrical receptacle) N – No receptacle – Use with visual ΔP indicator</p> <hr/> <p>6 Seal material B – Buna–N V – Viton–A</p> <hr/> <p>7 S50 Head sub assembly</p>
--------------------------------------------------------------------------------------------------------------------------------------------------------------------------------------------------------------------------------------------------------------------------------------------------------------------------------------------------------------------------------------------------------------------------------------------------------------------------------------------------------------------------------	--------------------------------------------------------------------------------------------------------------------------------------------------------------------------------------------------------------------------------------------------------------------------------------------------------------------------------------------------------------------------------------------------------------------

Element Model Code



<p>1 Filter element V602 – For use with H350 series filters</p> <hr/> <p>2 Element collapse rating 1 – 150 PSID (10 bar) 4 – 3000 PSID (210 bar) (H–pak only) NOTE: 1 use only with bypass valve or monitored ΔP indicator</p> <hr/> <p>3 Seal material B – Buna–N V – Viton–A</p> <hr/> <table border="0"> <tr> <td style="vertical-align: top;">4 Bowl length mm (in)</td> <td style="vertical-align: top;">Element length mm (in)</td> </tr> <tr> <td>1 – 216 (8.5)</td> <td>102 (4)</td> </tr> <tr> <td>2 – 310 (12.2)*</td> <td>203 (8)*</td> </tr> </table> <p>*HF3</p>	4 Bowl length mm (in)	Element length mm (in)	1 – 216 (8.5)	102 (4)	2 – 310 (12.2)*	203 (8)*	<p>5 Element construction C – C–pak (grade 01, 03, 05, 10, 20) H – H–pak (grade 3, 10)</p> <hr/> <p>6 Fluid cleanliness ratings</p> <table border="0"> <thead> <tr> <th>Code</th> <th>Fluid cleanliness level</th> </tr> </thead> <tbody> <tr> <td>03</td> <td>16/14/12 or better</td> </tr> <tr> <td>05</td> <td>18/16/14 or better</td> </tr> <tr> <td>10</td> <td>20/18/15 or better</td> </tr> <tr> <td>20</td> <td>22/19/16 or better</td> </tr> </tbody> </table> <hr/> <p>The table above assumes limited ingress and a single pass of pump flow through the element. For more detailed information, please consult Vickers Guide to Systemic Contamination Control 561 or contact your local Vickers Distributor.</p>	Code	Fluid cleanliness level	03	16/14/12 or better	05	18/16/14 or better	10	20/18/15 or better	20	22/19/16 or better
4 Bowl length mm (in)	Element length mm (in)																
1 – 216 (8.5)	102 (4)																
2 – 310 (12.2)*	203 (8)*																
Code	Fluid cleanliness level																
03	16/14/12 or better																
05	18/16/14 or better																
10	20/18/15 or better																
20	22/19/16 or better																

Differential Pressure Indicator Model Code



1 Style option

PV – Visual
PE – Electrical
PD – Electrical/Visual

2 Actuation pressure option

015 – 15 ± 4 PSID (1 bar)
035 – 35 ± 5 PSID (2,4 bar)
070 – 70 ± 7 PSID (4,8 bar)
(not an option with 330/340 filters)
100 – 100 ± 12 PSID (6,9 bar)

3 Thermal lockout option

N – No thermal lockout
(not an option with IFI indicator)
T – Thermal lockout
(standard TLO= $80 \pm 20^\circ$ F)

4 Seal option

1 – Buna-N
2 – Viton

5 Receptacle option

B – 5-pin Brad Harrison (41512)
(not an option with visual indicator)
H – Hirschman (DIN 43650)
(not an option with visual indicator)
N – No receptacle (use with visual indicator)
(not an option with IFI indicator)

6 Surge control option

None – No surge control
S – Surge control
(not an option with 330/340 filters)

7 Filter series option

None – Standard
M – 330/340 Filters only

Eaton
Fluid Power Group
Hydraulics Business USA
14615 Lone Oak Road
Eden Prairie, MN 55344
USA
Tel: 952-937-9800
Fax: 952-294-7722
www.eaton.com/hydraulics

Eaton
Fluid Power Group
Hydraulics Business Europe
Route de la Longeraie 7
1110 Morges
Switzerland
Tel: +41 (0) 21 811 4600
Fax: +41 (0) 21 811 4601

Eaton
Fluid Power Group
Hydraulics Business Asia Pacific
11th Floor Hong Kong New World Tower
300 Huaihai Zhong Road
Shanghai 200021
China
Tel: 86-21-6387-9988
Fax: 86-21-6335-3912