



# **H061 Series High Performance Low Pressure Filter**

**Flows to 189 L/min (50 USgpm) 41,4 bar (600 psi)**

## Service Data

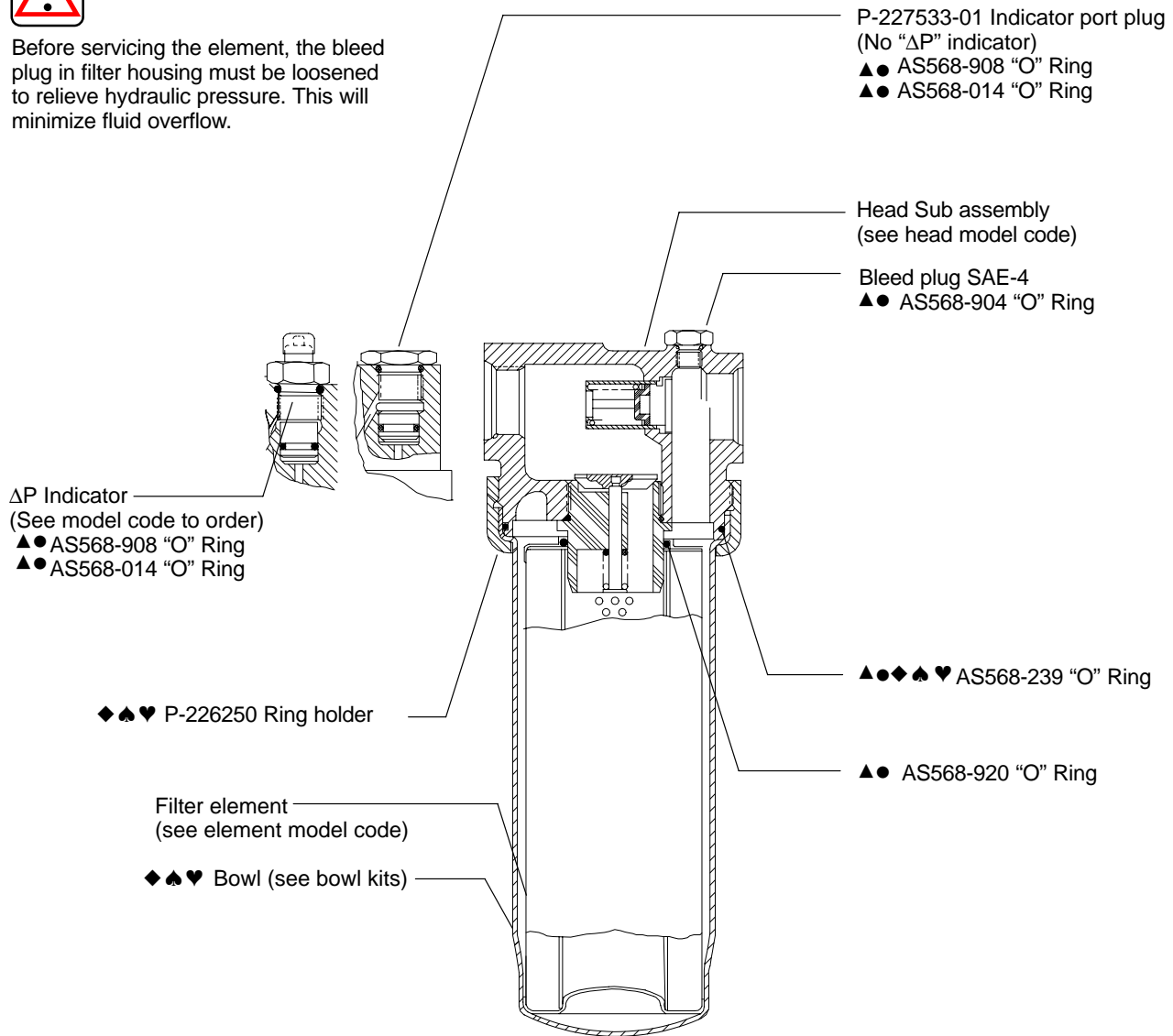
# H061 Series High Performance Low Pressure Filter

Flows to 189 L/min (50 USgpm) 41,4 bar (600 psi)



### CAUTION

Before servicing the element, the bleed plug in filter housing must be loosened to relieve hydraulic pressure. This will minimize fluid overflow.



NOTE: Bowl kits contain Buna-N seals, to order Viton seals, replace **B** in part number with a **V**.

Example:

From: P-133233-01**B**, for Buna.

To: P-133233-01**V**, for Viton.

▲ Included in seal kit P-427466-1A Buna  
 ● Included in seal kit P-427466-3A Viton  
 ◆ Included in 4" Bowl kit P-133233-01B  
 ♠ Included in 8" Bowl kit P-133233-02B  
 ♥ Included in 13" Bowl kit P-133233-04B  
 Bowl kits contain (Bowl, "O" Ring, & Ring holder.

## Head Sub Assembly Model Code

**H061 \* \* \* JN \* S50**

### 1 Filter series

**H061**

### 2 Element collapse rating

- 1 – 150 PSID (10 bar)
- 3 – 600 PSID (210 bar) (H-pak only)

### 3 Port options

- A** – 1.062-12 UN SAE-12 str. thd. (3/4" tube)
- B** – 1.312-12 UN SAE-16 str. thd. (1" tube)

### 4 Valve options

- 1 – Non-bypass
- 3 – Bypass set at  $22 \pm 3$  PSID (1,5 bar) cracking pressure
- 4 – Bypass set at  $50 \pm 5$  PSID (3,4 bar) cracking pressure

### 5 $\Delta P$ indicator & receptacle options

**First designator** (Indicator type)

**J** - No  $\Delta P$  Indicator

### **Second designator** (Electrical receptacle)

**N** – No receptacle – Use with visual  $\Delta P$  indicator only

### 6 Seal material

- B** – Buna-N
- V** – Viton-A

### 7 S50 - Head sub assembly

## Element Model Code

**V602 1 B 1 C 05**

### 1 Filter element

**V602** – For use with H061 series filters

### 2 Element collapse rating

- 1 – 150 PSI (10 bar)
  - 3 – 600 PSI (41,4 bar)
- NOTE: 1 use only with bypass valve or monitored  $\Delta P$  indicator

### 3 Seal material

- B** – Buna-N
- V** – Viton-A

### 4 Bowl length mm (in)

Bowl length mm (in)	Element code length mm (in)
1 – 185,4 (7.3)	101,6 (4)
2 – 276,8 (10.9)*	203,0 (8)*
4 – 398,3 (15.64)	330,2 (13)

- \*HF3

### 5 Element construction

- C** – C-pak (grade 01, 03, 05, 10, 20)
- E** – E-pak 600 psid (grade 3, 5, 10)

### 6 Fluid cleanliness ratings

Code	Fluid cleanliness level
<b>03</b>	16/14/12 or better
<b>05</b>	18/16/14 or better
<b>10</b>	20/18/15 or better
<b>20</b>	22/19/16 or better

The table above assumes limited ingress and a single pass of pump flow through the element. For more detailed information, please consult Vickers Guide to Systemic Contamination Control **561** or contact your local Vickers Distributor.

## Differential Pressure Indicator Model Code

**P \* \*\*\* \* \* \* (S) (M)**

### 1 Style option

- PV** – Visual
- PE** – Electrical
- PD** – Electrical/Visual

### 2 Actuation pressure option

- 015** –  $15 \pm 4$  PSID (1 bar)
- 035** –  $35 \pm 5$  PSID (2,4 bar)
- 070** –  $70 \pm 7$  PSID (4,8 bar) (not an option with 330/340 filters)
- 100** –  $100 \pm 12$  PSID (6,9 bar)

### 3 Thermal lockout option

- N** – No thermal lockout (not an option with IFI indicator)
- T** – Thermal lockout (standard TLO= $80 \pm 20^\circ$  F)

### 4 Seal option

- 1 – Buna-N
- 2 – Viton

### 5 Receptacle option

- B** – 5-pin Brad Harrison (41512) (not an option with visual indicator)
- H** – Hirschman (DIN 43650) (not an option with visual indicator)
- N** – No receptacle (use with visual indicator) (not an option with IFI indicator)

### 6 Surge control option

- None** – No surge control
- S** – Surge control (not an option with 330/340 filters)

### 7 Filter series option

- None** – Standard
- M** – 330/340 Series filters only

**Eaton**  
Fluid Power Group  
Hydraulics Business USA  
14615 Lone Oak Road  
Eden Prairie, MN 55344  
USA  
Tel: 952-937-9800  
Fax: 952-294-7722  
[www.eaton.com/hydraulics](http://www.eaton.com/hydraulics)

**Eaton**  
Fluid Power Group  
Hydraulics Business Europe  
Route de la Longeraie 7  
1110 Morges  
Switzerland  
Tel: +41 (0) 21 811 4600  
Fax: +41 (0) 21 811 4601

**Eaton**  
Fluid Power Group  
Hydraulics Business Asia Pacific  
11th Floor Hong Kong New World Tower  
300 Huaihai Zhong Road  
Shanghai 200021  
China  
Tel: 86-21-6387-9988  
Fax: 86-21-6335-3912