

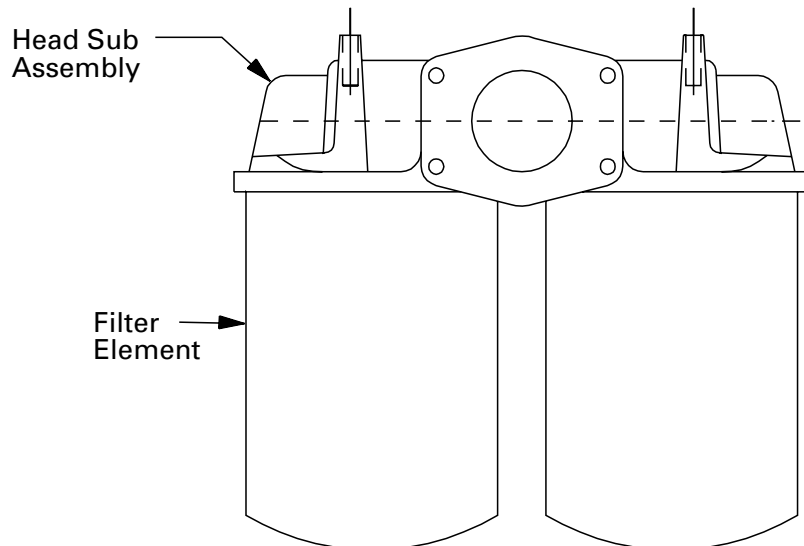
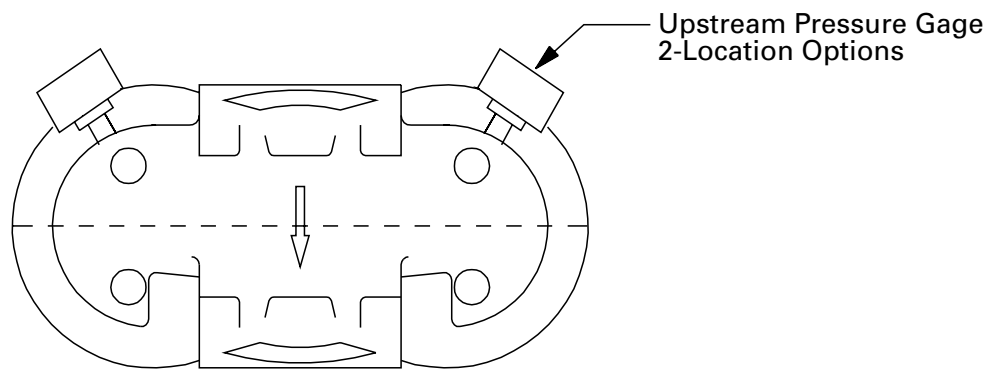


Vickers

HS22 Series High Performance/Pressure Filter

Flows to 454 L/min (120 USgpm)

Service Data



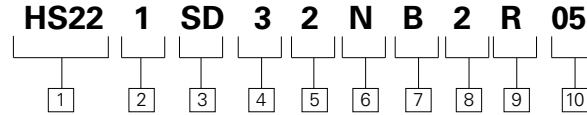
CAUTION



Before servicing the element, the bleed plug in filter housing must be loosened to relieve pressure. This will minimize fluid overflow.

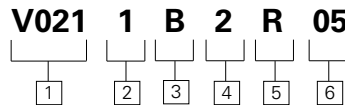
Model Code

Filter Assembly



<p>1 Filter Series HS22</p> <hr/> <p>2 Element Collapse Rating 1 - 150 PSID Low Pressure</p> <hr/> <p>3 Port options BD - G1^{1/2} to ISO 228 ME - 1^{1/2}" SAE 4 bolt Flange Code 61 (M12 x 1.75) SD - 1.875 - 12 UN sae-24 str. Thd (1^{1/2} tube) FE - 1^{1/2}" SAE 4 bolt Flange Code 61 (UNC)</p>	<p>4 Valve options 3 - 25 PSI bypass 4 - 50 PSI bypass</p> <hr/> <p>5 Indicator options 1 - No indicator 2 - 0 - 200 PSI gauge 4 - 0 - 60 PSI gauge</p> <hr/> <p>6 Receptical N - None</p> <hr/> <p>7 Seal material B - Buna-N</p>	<p>8 Canister length mm (inch) 1 - 184 (7) 2 - 286 (11)</p> <hr/> <p>S50 - Head Sub-Assembly Only (no element or gauge)</p> <hr/> <p>9 Element construction R - Standard construction (3, 5, 10, 20 Micron) W - Water removal (10 Micron only)</p>	<p>Assembly length mm (inch) 253 (10) 355 (14)</p> <hr/> <p>10 Fluid cleanliness rating</p> <table border="0"> <thead> <tr> <th>Code</th> <th>Target fluid cleanliness level</th> </tr> </thead> <tbody> <tr> <td>03</td> <td>16/14/12 or better</td> </tr> <tr> <td>05</td> <td>18/16/14 or better</td> </tr> <tr> <td>10</td> <td>20/18/15 or better</td> </tr> <tr> <td>20</td> <td>22/19/16 or better</td> </tr> </tbody> </table> <p>The table assumes limited ingress/single pass of pump flow through element. For detailed assistance, see "The Systemic Approach to Contamination Control" or contact your local Eaton representative.</p>	Code	Target fluid cleanliness level	03	16/ 14/12 or better	05	18/ 16/14 or better	10	20/ 18/15 or better	20	22/ 19/16 or better
Code	Target fluid cleanliness level												
03	16/ 14/12 or better												
05	18/ 16/14 or better												
10	20/ 18/15 or better												
20	22/ 19/16 or better												

Element



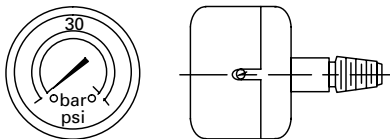
<p>1 Filter element V021 - For use with HS22 and OFR-S60 series filters W021 - Water Removal Element for use with HS22 and OFR-S60 series filters</p>	<p>2 Element collapse rating 1 - 10 bar (150 PSI)</p> <hr/> <p>3 Seal material B - Buna-N</p>	<p>4 Canister length mm (inch) 1 - 184 (7) 2 - 286 (11)</p> <hr/> <p><i>NOTE: Water removal element only available in length 2.</i></p> <hr/> <p>5 Element construction R - R-Pak (grade 3, 5, 10, 20) W - W-Pak, Water Removal (grade 10)</p>	<p>6 Fluid cleanliness ratings</p> <table border="0"> <thead> <tr> <th>Code</th> <th>Target fluid cleanliness level</th> </tr> </thead> <tbody> <tr> <td>03</td> <td>16/14/12 or better</td> </tr> <tr> <td>05</td> <td>18/16/14 or better</td> </tr> <tr> <td>10</td> <td>20/18/15 or better</td> </tr> <tr> <td>20</td> <td>22/19/16 or better</td> </tr> </tbody> </table> <p>The table assumes limited ingress/single pass of pump flow through element. For detailed assistance, see "The Vickers Guide to Systemic Contamination Control" or contact your local Eaton representative.</p>	Code	Target fluid cleanliness level	03	16/ 14/12 or better	05	18/ 16/14 or better	10	20/ 18/15 or better	20	22/ 19/16 or better
Code	Target fluid cleanliness level												
03	16/ 14/12 or better												
05	18/ 16/14 or better												
10	20/ 18/15 or better												
20	22/ 19/16 or better												

Accessories

Gauge

02-392339 0-4 bar (0-60 psi) color coded

02-392340 0-14 bar (0-200 psi)



Eaton

14615 Lone Oak Road
Eden Prairie, MN 55344
USA
Tel: 952 937-9800
Fax: 952 974-7722
www.hydraulics.eaton.com

Eaton

20 Rosamond Road
Footscray
Victoria 3011
Australia
Tel: (61) 3 9319 8222
Fax: (61) 3 9318 5714

Eaton

46 New Lane, Havant
Hampshire PO9 2NB
England
Tel: (44) 23 92 486 451
Fax: (44) 23 92 487 110



Vickers