

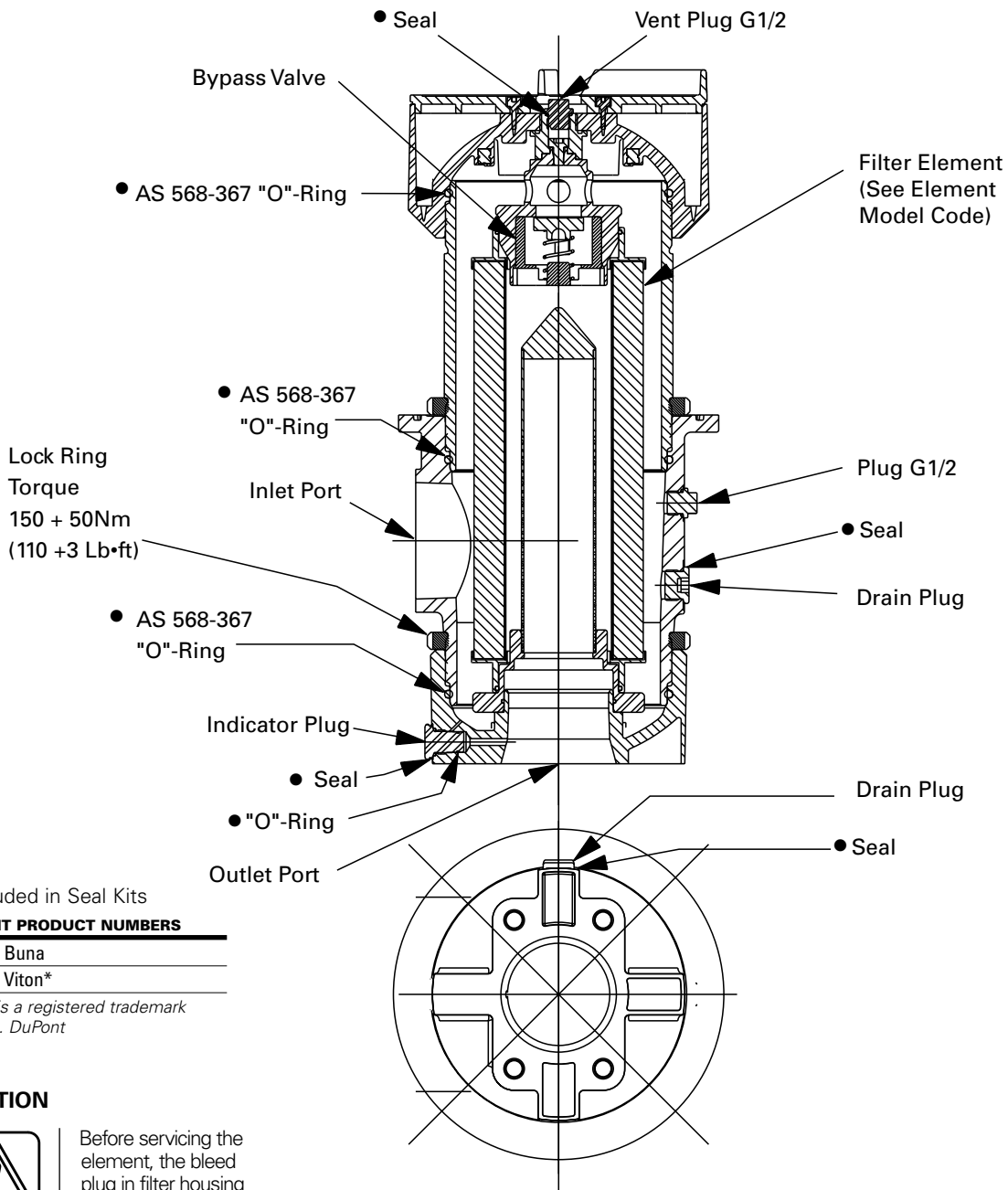


# Vickers

## HV6R Series Low Pressure Filter

Flows to 1135 L/min (300 USgpm)

Service Data



● Included in Seal Kits

**SEAL KIT PRODUCT NUMBERS**

3039688 Buna

3039689 Viton\*

\* Viton is a registered trademark of E.I. DuPont

**CAUTION**

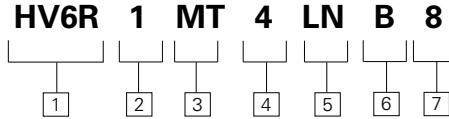


Before servicing the element, the bleed plug in filter housing must be loosened to relieve pressure. This will minimize fluid overflow.



# Model Code

## Housing Assembly



**1 Filter Series - New**

**HV6R**

**2 Element Collapse Rating**

**1 - 150 PSI Low Collapse**

**3 Port options**

**MT - 4" SAE 4 Bolt Flange with Metric threads (M16 bolts provided)**

**4 Valve options**

- 1 - Non-Bypass**
- 2 - Bypass set at 25 PSI cracking pressure**
- 4 - Bypass set at 43 PSI cracking pressure**

**5 Indicator options**

**First Designator - Indicator Type**

**J - No Indicator (plug)**

**Second Designator - Electrical Receptacle**

**N - No Connector - use with visual indicators and "J"**

**6 Seal material**

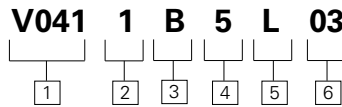
**B - Buna-N**

**V - Viton-A**

**7 Element length Assembly length**

	mm (in)	mm (in)
<b>5</b>	407 (16)	472 (18.6)
<b>8</b>	981 (39)	1056 (41.6)

## Element



**1 Filter element**

**V041 - For use with HV6R series housings**

**2 Element collapse rating**

**1 - 150 PSI Low Collapse**  
*NOTE: L-Pak elements are rated at 100 PSI collapse. If used in a Non-Bypass housing, a monitored differential pressure indicator (70 PSI max.) should be used. (Indicator option A, B, I, U, or V)*

**3 Seal material**

**B - Buna-N**  
**V - Viton-A**

**4 Element length**

mm (inch)  
**5 - 406 (16)**  
**8 - 990 (39)**

**5 Element construction**

**C - C-Pak (grade 3, 5, 10, 20)**  
**L - L-Pak (grade 3, 5, 10, 20)**

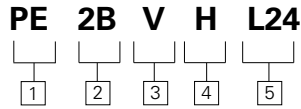
**6 Fluid cleanliness ratings**

Code	Target fluid cleanliness level
<b>03</b>	16/ <b>14</b> / <b>12</b> or better
<b>05</b>	18/ <b>16</b> / <b>14</b> or better
<b>10</b>	20/ <b>18</b> / <b>15</b> or better
<b>20</b>	22/ <b>19</b> / <b>16</b> or better

The table assumes limited ingress/single pass of pump flow through element. For detailed assistance, see "The Systemic Approach to Contamination Control" or contact your local Eaton representative.

# Model Code

## Indicator



**1 Indicator type and pressure rating**

**PV** - visual 210 bar (3000psi)  
**PE** - electrical 210 bar (3000psi)

**2 Pressure setting**

**1B** - 1 bar (15PSID)  
**2B** - 2 bar (30PSID)  
**5B** - 5 bar (75PSID)

**3 Seal material**

**V** - Viton-A

**4 Connector**

**B** - Brad Harrison 5 Pin  
**H** - Hirshman  
**N** - None  
 (use with PV indicators)

**5 Light option**

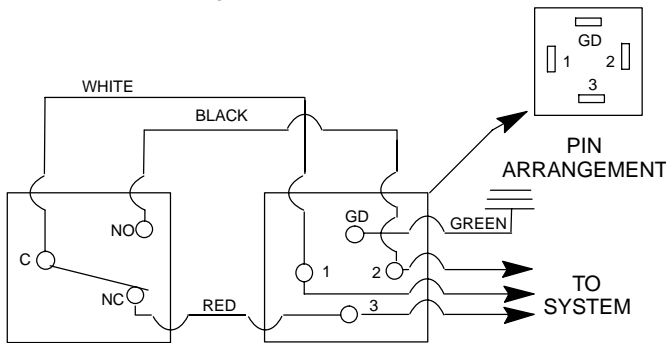
**L24** - 24 Volt Light  
**L115** - 115 Volt Light  
**L230** - 230 Volt Light  
 (use with Hirshman Connector only)

## Schematic Wiring Diagram

### Indicator Switch

**Note**

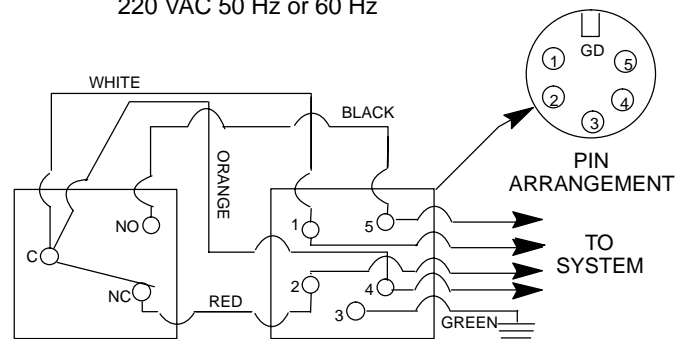
When fitting indicator, torque to 41-47 Nm.



Hirschmann (DIN 43650 Type AM) Receptacle

### Electrical

Switch: SPDT  
 Rating: 7 amps, resistive  
 4 amps, inductive  
 2 amps, lamp load  
 @28 VDC, 115 VAC 60 Hz &  
 220 VAC 50 Hz or 60 Hz



Brad Harrison (41512) Receptacle

**Eaton**  
 14615 Lone Oak Road  
 Eden Prairie, MN 55344  
 USA  
 Tel: 952 937-9800  
 Fax: 952 974-7722  
 www.hydraulics.eaton.com

**Eaton**  
 20 Rosamond Road  
 Footscray  
 Victoria 3011  
 Australia  
 Tel: (61) 3 9319 8222  
 Fax: (61) 3 9318 5714

**Eaton**  
 46 New Lane, Havant  
 Hampshire PO9 2NB  
 England  
 Tel: (44) 23 92 486 451  
 Fax: (44) 23 92 487 110

