

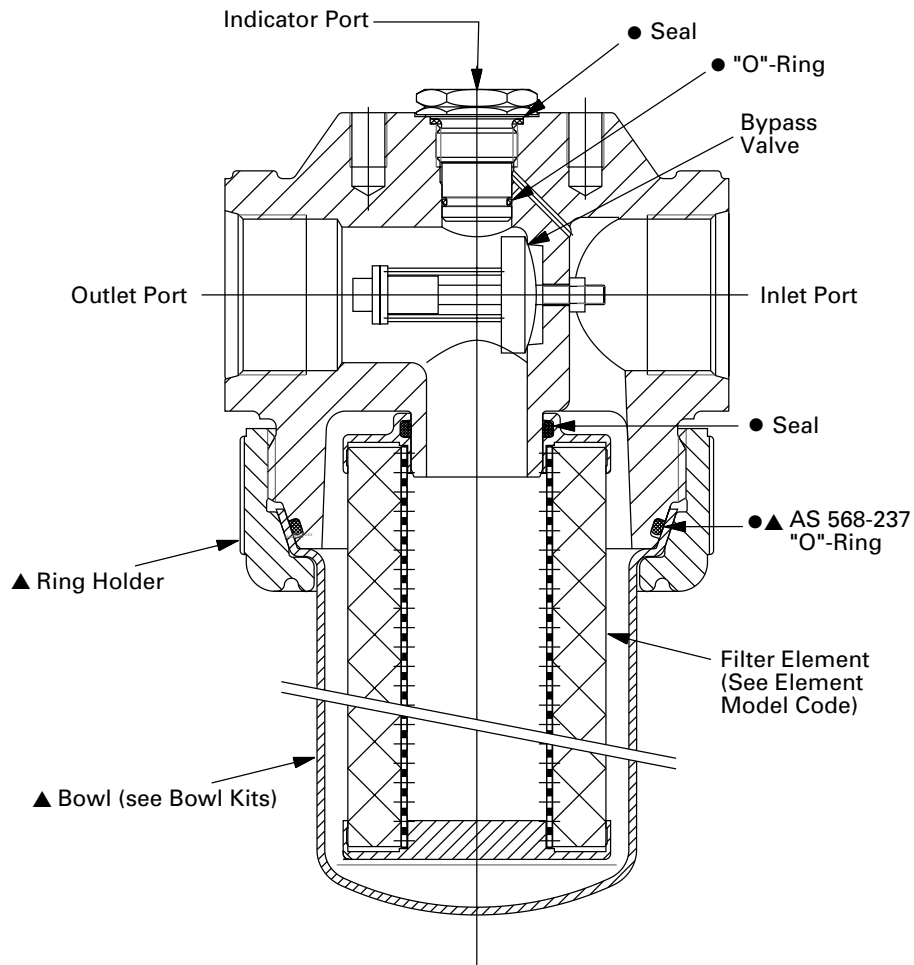


Vickers

HV3R Series High Performance Low Pressure Filter

Flows to 280 L/min (75 USgpm) 50 bar (725 psi)

Service Data



● Included in Seal Kits

SEAL KIT PRODUCT NUMBERS

3039690 Buna

3039691 Viton*

* Viton is a registered trademark
of E.I. DuPont

▲ Included in Bowl Kits

BOWL KIT PRODUCT NUMBERS

3039664 Buna 4.5"

3039676 Viton 4.5"

3039665 Buna 6.8"

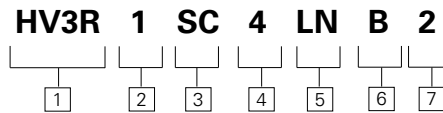
3039677 Viton 6.8"

3039666 Buna 14"

3039678 Viton 14"

Model Code

Housing Assembly



1 Filter Series

HV3R

2 Element Collapse Rating

- 1 - 250 PSI Low Collapse
- 4 - 3000 PSI High Collapse

3 Port options

- BC** - G 1-1/4 to ISO 228
- SC** - 1.625 - 12UN SAE-20 str. Thd. (1 1/4" tube)

4 Valve options

- 1 - Non-Bypass
- 3 - Bypass set at 25 PSI cracking pressure
- 4 - Bypass set at 43 PSI cracking pressure

5 Indicator options

First Designator - Indicator Type

J - No Indicator (plug)

Second Designator - Electrical Receptical

N - No Connector - use with visual indicators and "J"

6 Seal material

- B** - Buna-N
- V** - Viton-A

7 Element length

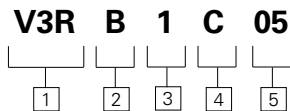
mm (in)

- | | |
|----------------------|-------------|
| 1 - 114 (4.5) | 207 (8.15) |
| 2 - 173 (6.8) | 266 (10.47) |
| 4 - 356 (14) | 447 (17.6) |

Assembly length

mm (in)

Element



1 Filter element

V3R - For use with HV3R series housings

2 Seal material

- B** - Buna-N
- V** - Viton-A

3 Element length

mm (inch)

- 1 - 114 (4.5)
- 2 - 173 (6.8)
- 4 - 356 (14)

4 Element construction

- C** - C-Pak (grade 3, 5, 10, 20)
- H** - H-Pak (grade 3, 5, 10)

5 Fluid cleanliness ratings

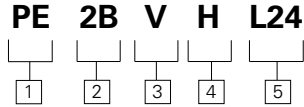
Code **Target fluid cleanliness level**

- | | |
|-----------|-------------------------------------|
| 03 | 16/ 14 / 12 or better |
| 05 | 18/ 16 / 14 or better |
| 10 | 20/ 18 / 15 or better |
| 20 | 22/ 19 / 16 or better |

The table assumes limited ingestion/single pass of pump flow through element. For detailed assistance, see "The Vickers Guide to Systemic Contamination Control" or contact your local Eaton representative.

Model Code

Indicator



1 Indicator type and pressure rating

PV - visual 210 bar (3000psi)
PE - electrical 210 bar (3000psi)

2 Pressure setting

1B - 1 bar (15PSID)
2B - 2 bar (30PSID)
5B - 5 bar (75PSID)

3 Seal material

V - Viton-A

4 Connector

B - Brad Harrison 5 Pin
H - Hirshman
N - None
 (use with PV indicators)

5 Light option

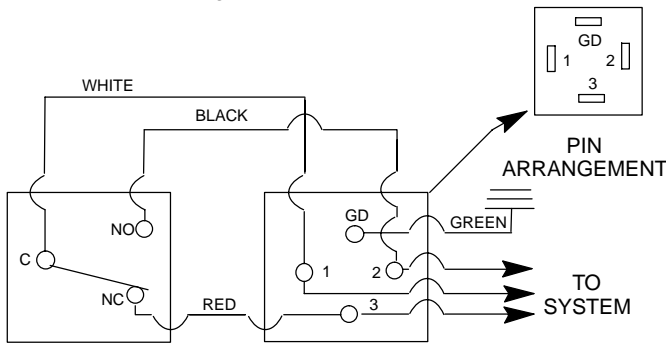
L24 - 24 Volt Light
L115 - 115 Volt Light
L230 - 230 Volt Light
 (use with Hirshman Connectors only)

Schematic Wiring Diagram

Indicator Switch

Note

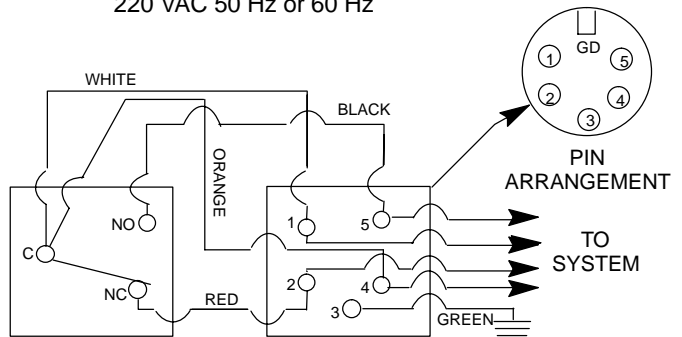
When fitting indicator, torque to 41-47 Nm.



Hirschmann (DIN 43650 Type AM) Receptacle

Electrical

Switch: SPDT
 Rating: 7 amps, resistive
 4 amps, inductive
 2 amps, lamp load
 @28 VDC, 115 VAC 60 Hz &
 220 VAC 50 Hz or 60 Hz



Brad Harrison (41512) Receptacle

Eaton
 14615 Lone Oak Road
 Eden Prairie, MN 55344
 USA
 Tel: 952 937-9800
 Fax: 952 974-7722
 www.hydraulics.eaton.com

Eaton
 20 Rosamond Road
 Footscray
 Victoria 3011
 Australia
 Tel: (61) 3 9319 8222
 Fax: (61) 3 9318 5714

Eaton
 46 New Lane, Havant
 Hampshire P09 2NB
 England
 Tel: (44) 23 92 486 451
 Fax: (44) 23 92 487 110

