

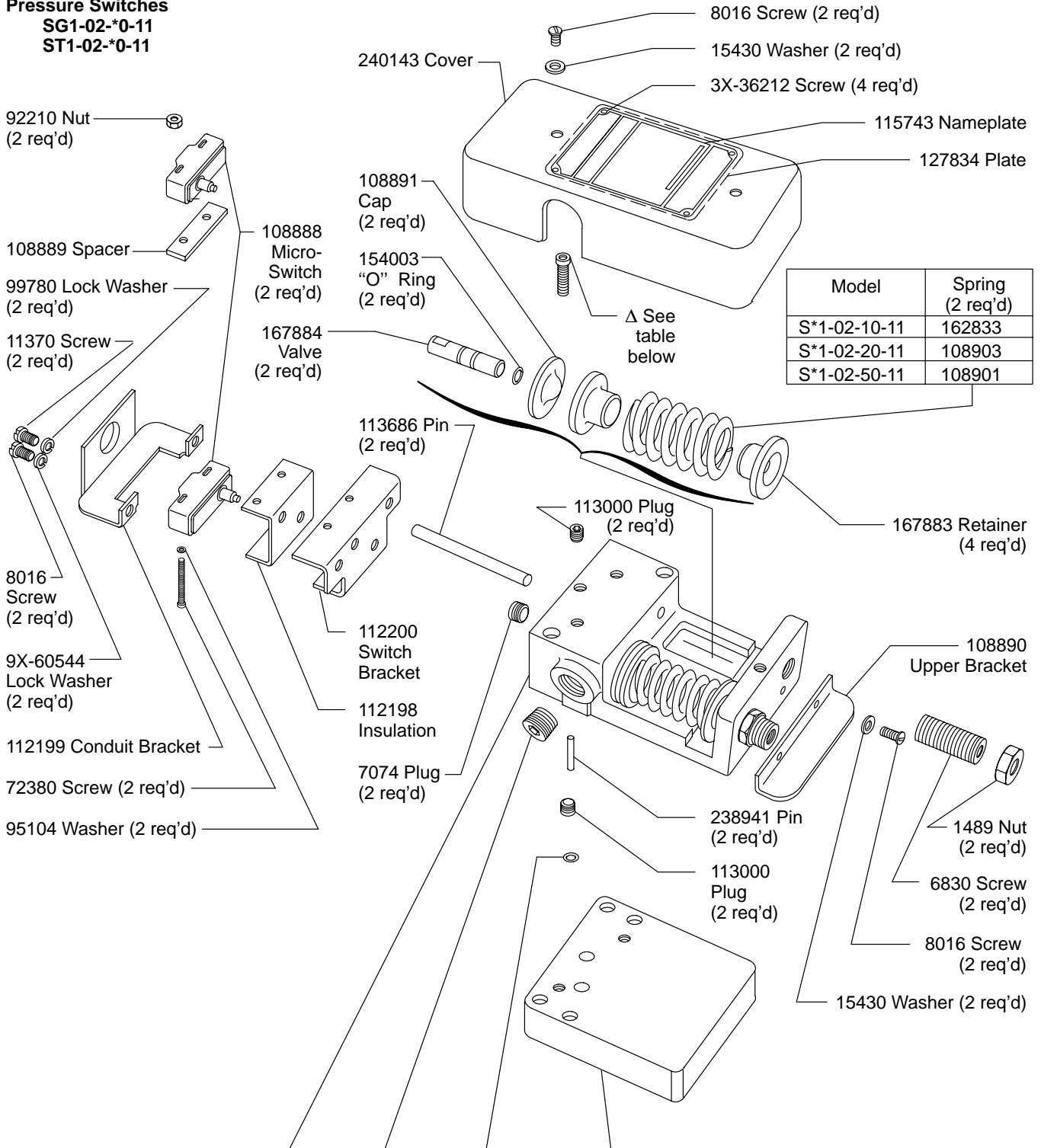


Pressure Switches

SG1-02-*-1*

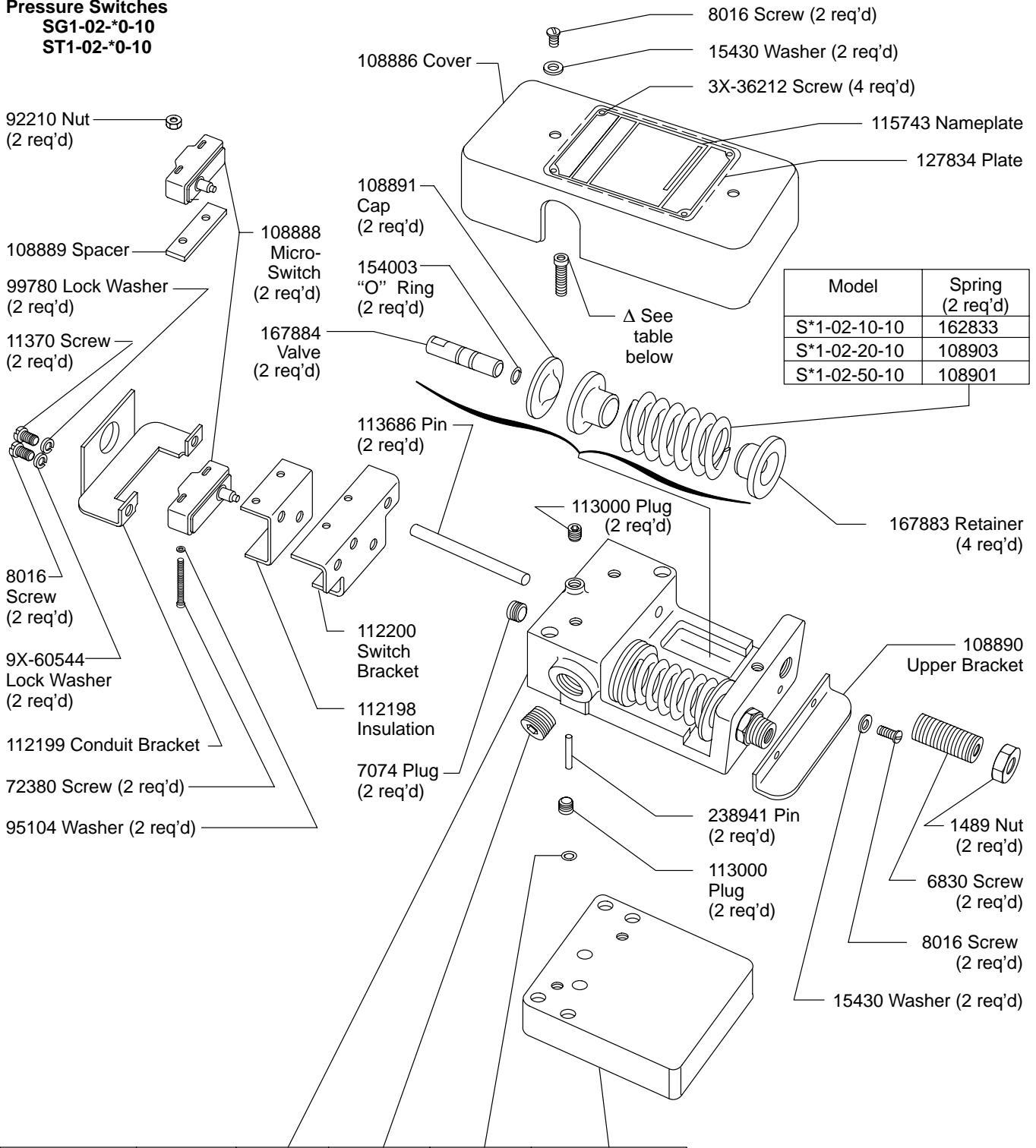
ST1-02-*-1*

Pressure Switches
SG1-02-*0-11
ST1-02-*0-11



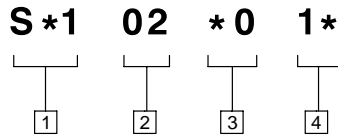
Model	ΔScrew (2 req'd)	Body	Plug (2 req'd)	"O" Ring (2 req'd)	Sub-Plate
SG1-02-*0-11	1036	240042	7075	124582	169161
					SG1SM-02-10
					183627
ST1-02-*0-11	—	235298	—	—	SG1SM-8S-02-10

Pressure Switches
SG1-02-*0-10
ST1-02-*0-10



Model	ΔScrew (2 req'd)	Body	Plug (2 req'd)	"O" Ring (2 req'd)	Sub-Plate
SG1-02-*0-10	1036	169162	7075	124582	169161
					SG1SM-02-10
					183627
ST1-02-*0-10	—	108885	—	—	SG1SM-8S-02-10

Model Code



1 Mounting

G - Gasket mounted
T - Threaded connection

3 Pressure Range

10 - 100 - 1000 PSI
20 - 100 - 2000 PSI
50 - 500 - 5000 PSI

4 Design

10 Design
11 Design

2 Connections

1/4 Inch connections

For satisfactory service life of these components in industrial applications, use full flow filtration to provide fluid which meets ISO cleanliness code 18/15 or cleaner. Selections from Vickers OFP, OFR, and OFRS series are recommended.

Printed in U.S.A.

Eaton Hydraulics

15151 Highway 5
Eden Prairie, MN 55344
Telephone: 612 937-7254
Fax: 612 937-7130
www.eatonhydraulics.com

46 New Lane, Havant
Hampshire PO9 2NB
England
Telephone: (44) 170-548-6451
Fax: (44) 170-548-7110

